



INSTALLATION INSTRUCTIONS

Accessory
**CROSSBAR
(EX, EX-L, TOURING)
P/N 08L04-SHJ-100**

Application
2006 ODYSSEY

Publications No.
All 30396
Issue Date
AUG 2005

PARTS LIST

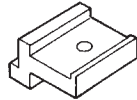
Front crossbar
(longer)



Rear crossbar
(shorter)



4 Holders



4 Special bolts



4 Washers



4 Lock washers



TOOLS REQUIRED

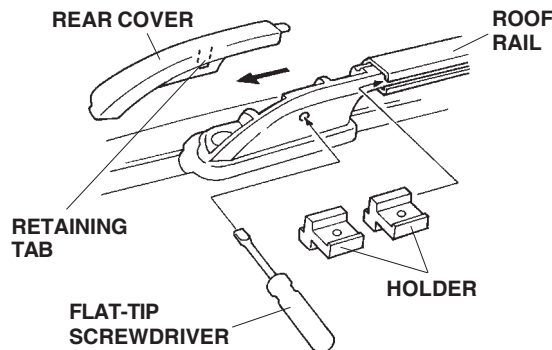
Small flat-tip screwdriver

T-30 Torx screwdriver

INSTALLATION

NOTE:

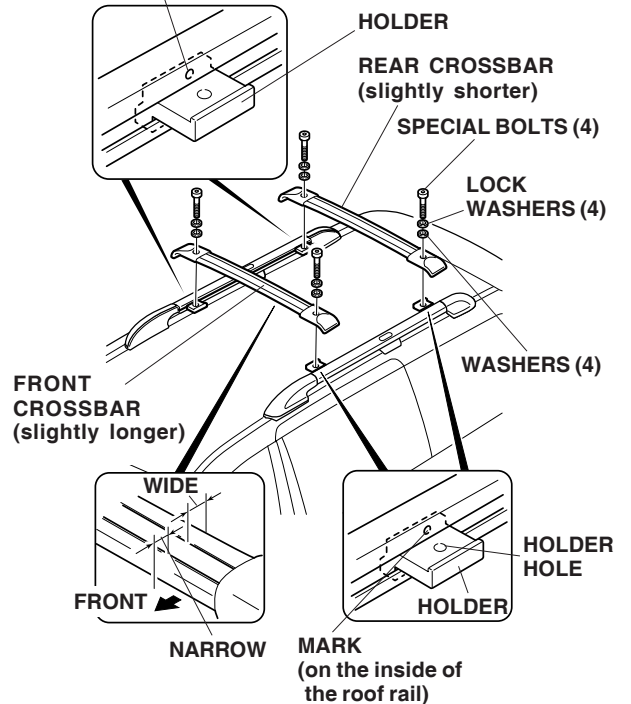
- Wipe the roof rails clean before installing the crossbars.
 - Be careful not to damage the body paint.
1. Insert a small flat-tip screwdriver into the hole on the inside of the roof rail base and release the retaining tab, then remove the rear cover.



2. Insert two holders in the groove of the roof rail.

3. Repeat steps 1 and 2 for the other roof rail.
4. Align the hole in each holder with the mark on the inside of the roof rail.

MARK (on the inside of the roof rail)



5. Position the crossbars on the holders, and install the special bolts with washers and lock washers. Tighten the bolts securely.
6. Reinstall the rear covers on the roof rails.

USE AND CARE

- Check the roof rack crossbar mounting bolts frequently, and retighten them if necessary.
- Distribute the weight of the cargo evenly, and do not exceed the maximum weight capacity of 150 lb (68 kg).