



# INSTALLATION INSTRUCTIONS

Accessory  
**HANDSFREELINK**

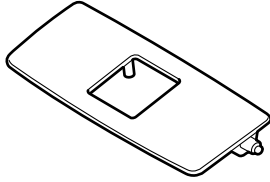
Application  
**2010 ACCORD CROSSTOUR**

Publications No.  
**All 41960**  
Issue Date  
**NOV 2009**

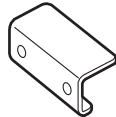
## PARTS LIST

**HFL Attachment Kit**  
**P/N 08E02-TA0-110**

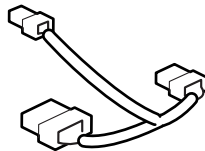
HFL trim



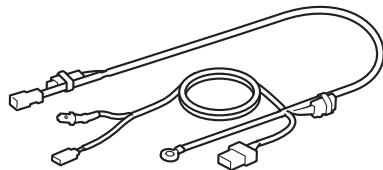
HFL bracket



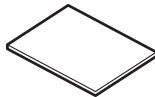
HFL harness



HFL subharness



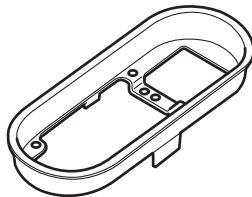
2 Double-faced tapes A



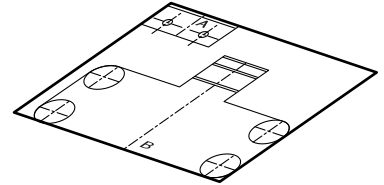
Double-faced tape B  
(Not used)



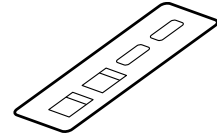
HFL retainer



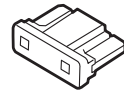
## Template



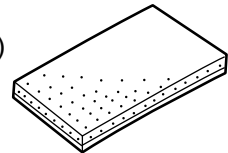
Fuse label



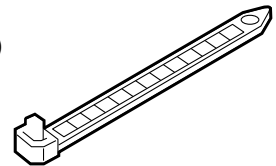
2 A Fuse



7 EPT sealers (2 Not used)



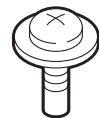
26 Wire ties (3 Not used)



2 Self-tapping screws, 3 x 10 mm

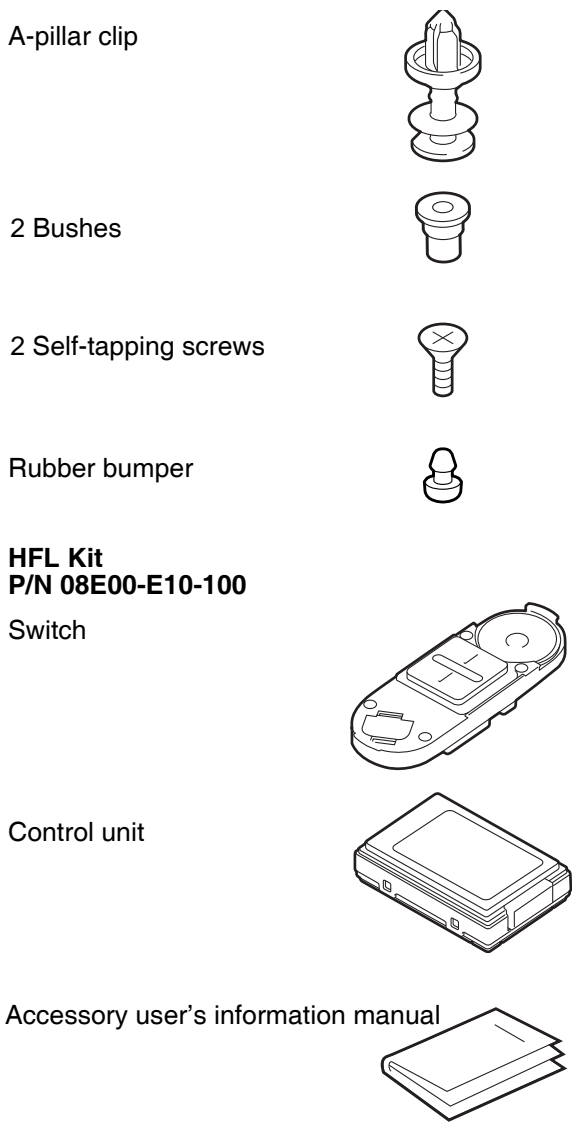


2 Washer screws



Ground bolt

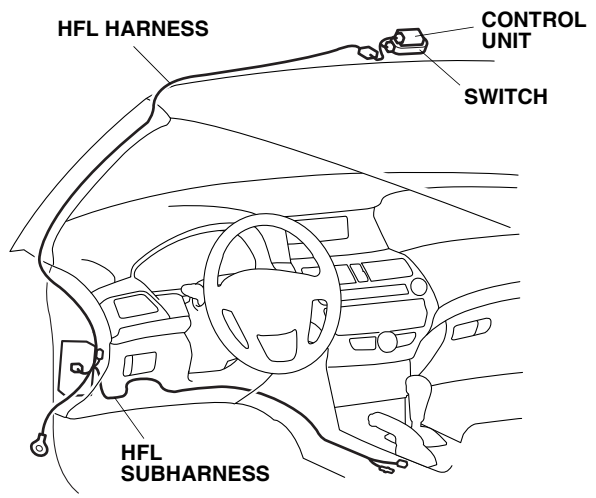




**TOOLS AND SUPPLIES REQUIRED**

- Phillips screwdriver
- Flat-tip screwdriver
- Scissors
- Shop towel
- Diagonal cutters
- Ratchet
- 10 mm Socket
- 10 mm Combination wrench
- Utility knife
- Felt-tip pen
- Pushpin
- Drill
- 3 mm, 4.5 mm, and 9 mm Drill bits
- 20 mm Hole saw
- Steel wire
- Isopropyl alcohol
- Insulation tape
- Masking tape
- File
- Small rubber mallet
- Clip remover
- Ruler
- Eye protection (safety goggles, face shield, etc.)
- Plastic Trim Tool (T/N SILTRIMTL10)

***Illustration of the HFL Installed on the Vehicle***



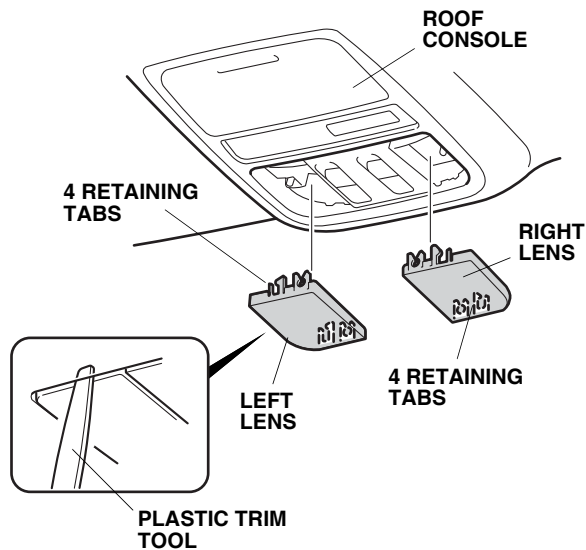
## INSTALLATION

**Customer Information:** The information in this installation instruction is intended for use only by skilled technicians who have the proper tools, equipment, and training to correctly and safely add equipment to your vehicle. These procedures should not be attempted by “do-it-yourselfers.”

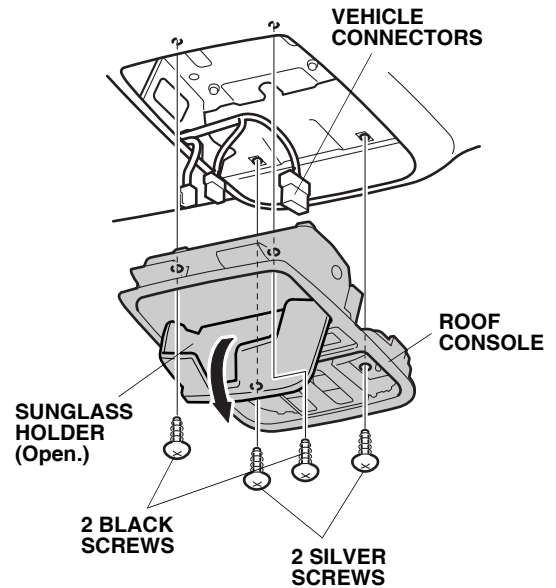
1. Make sure you have the anti-theft code for the audio system or the navigation system (if equipped).
2. Disconnect the negative cable from the battery.

### Removing the Vehicle Parts

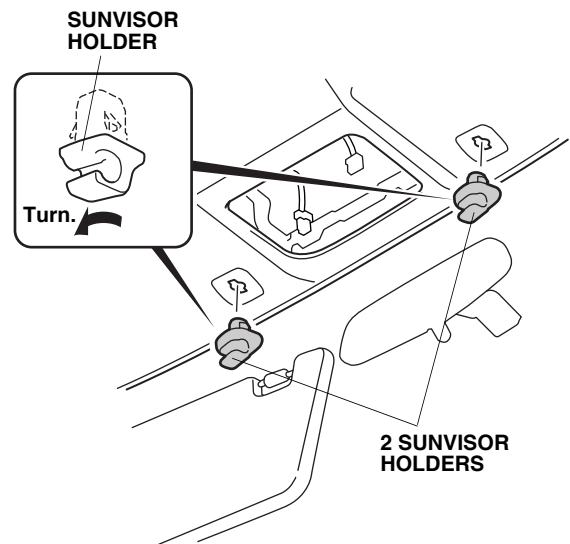
3. Using a plastic trim tool, disengage the eight retaining tabs and remove the left and right lenses from the roof console.



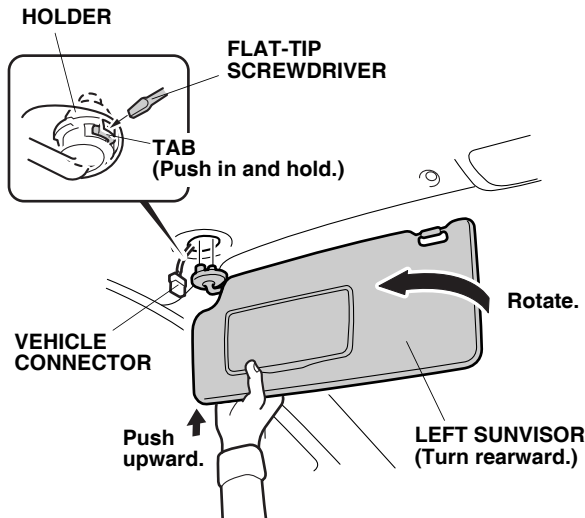
4. Open the sunglass holder. Remove the four screws (two black and two silver) and let the roof console drop down. Unplug the vehicle connectors and remove the roof console.



5. Remove the two sunvisor holders by turning them 45°.



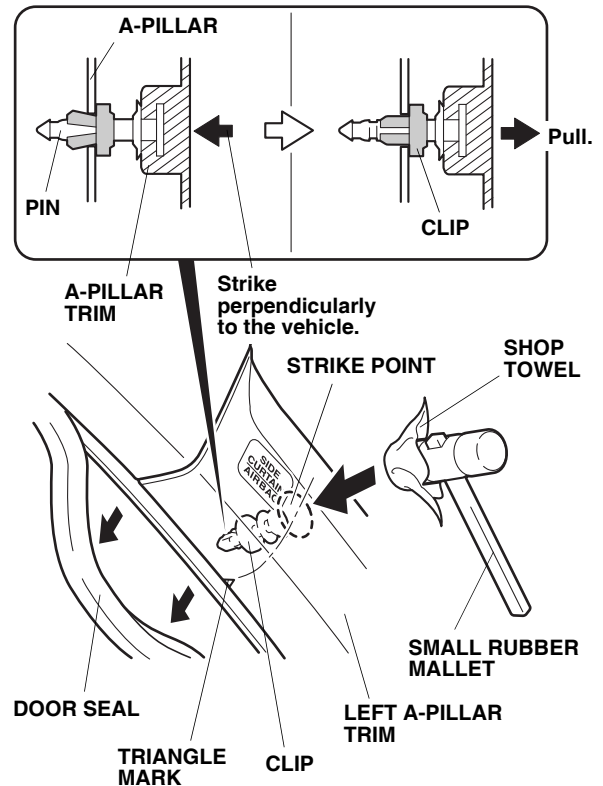
- Turn the left sunvisor toward the driver's seat.



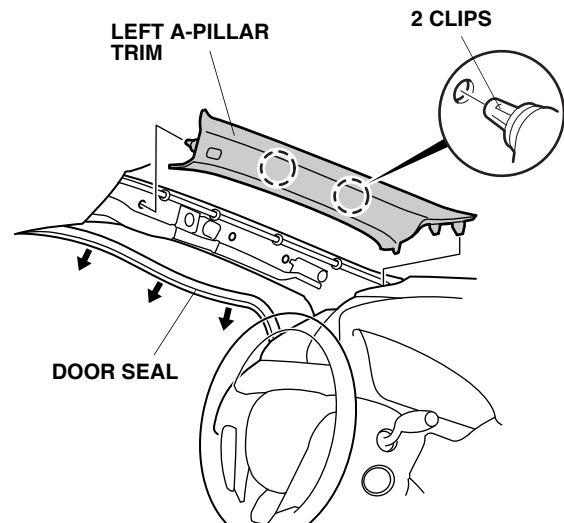
- Locate the slot in the sunvisor holder, and insert a flat-tip screwdriver into the slot. Push in and hold the tab.
- While holding the tab, push up on the left sunvisor and rotate it towards the door. Unplug the vehicle connector and remove the left sunvisor.

**NOTE:** If the tab did not stay pushed in, return the left sunvisor to its original position and repeat steps 6 through 8.

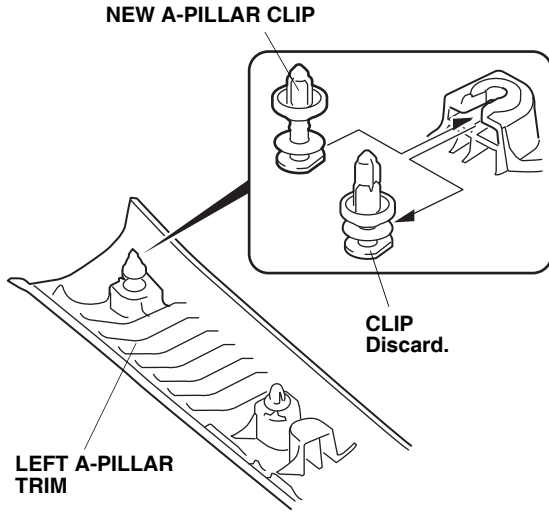
- Pull back the door seal from the left A-pillar trim.



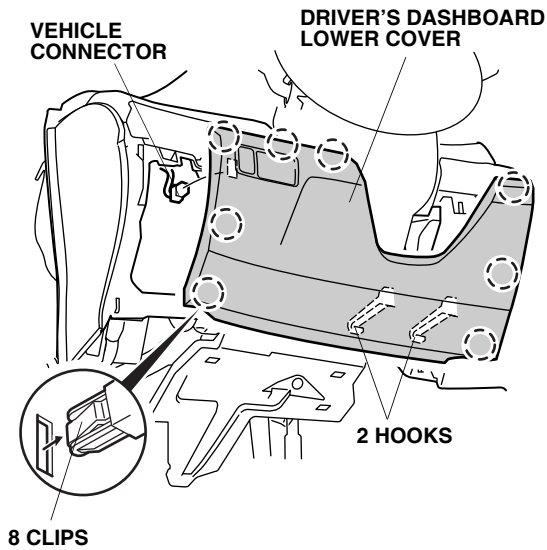
- Using a small rubber mallet and a shop towel, gently tap the left A-pillar trim at the position shown to release the clip.
- Pull back the door seal from the left A-pillar trim. Remove the left A-pillar trim (two clips).



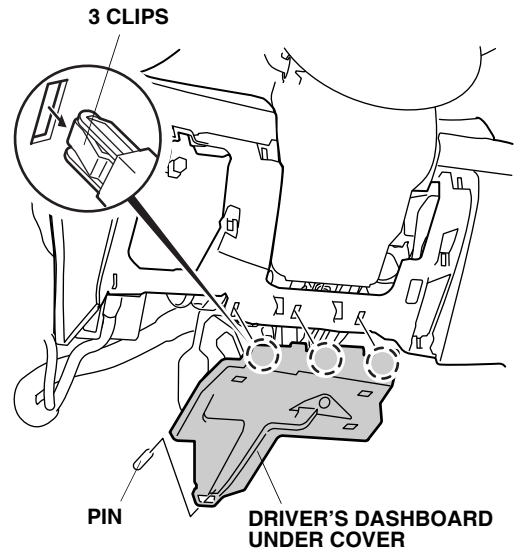
- Remove and discard the clip from the left A-pillar trim, and install a new A-pillar clip (supplied) on the left A-pillar trim.



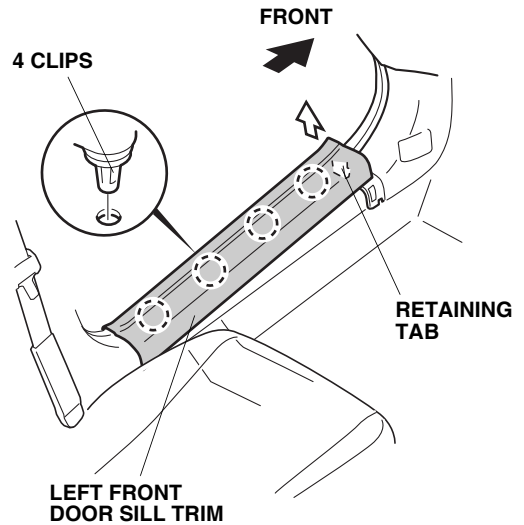
- Remove the driver's dashboard lower cover (eight clips, two hooks, and vehicle connector).



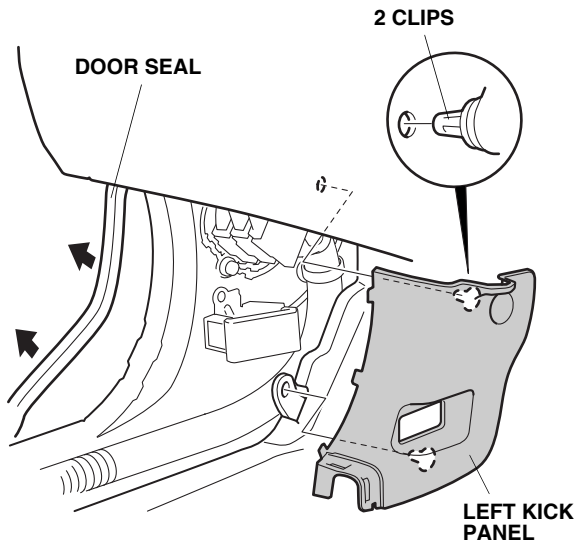
- Remove the driver's dashboard under cover (three clips and one pin).



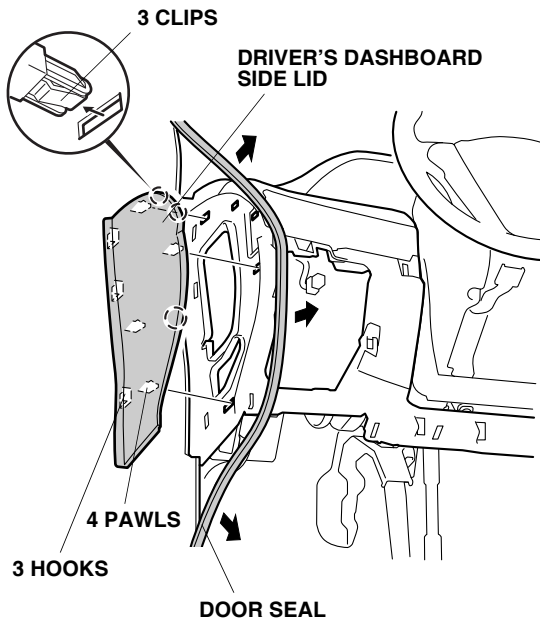
- Raise the front side of the left front door sill trim, and remove the left front door sill trim (four clips and one retaining tab).



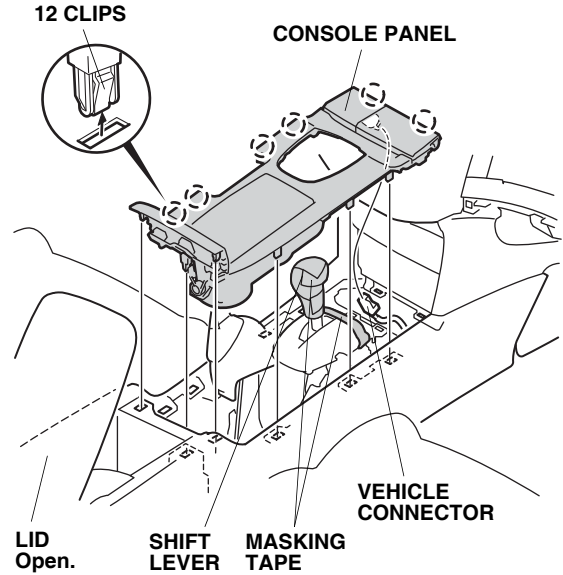
- Pull back the door seal, and remove the left kick panel (two clips).



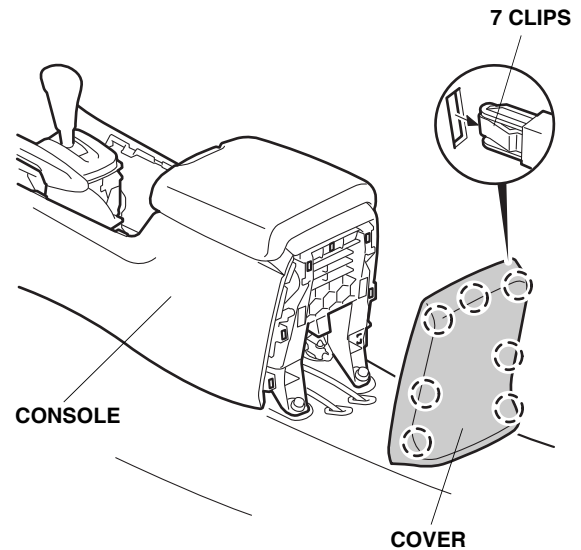
- Pull back the door seal, and remove the driver's dashboard side lid (three clips, four pawls, and three hooks).



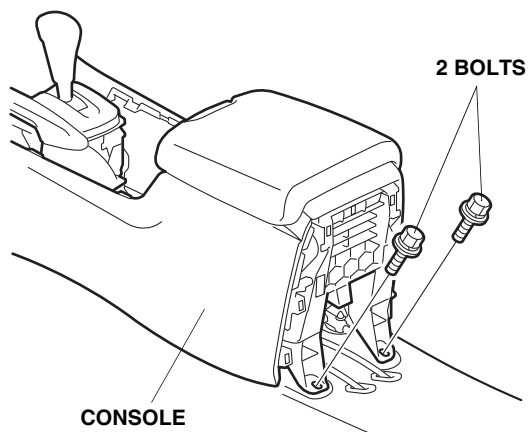
- Open the lid.



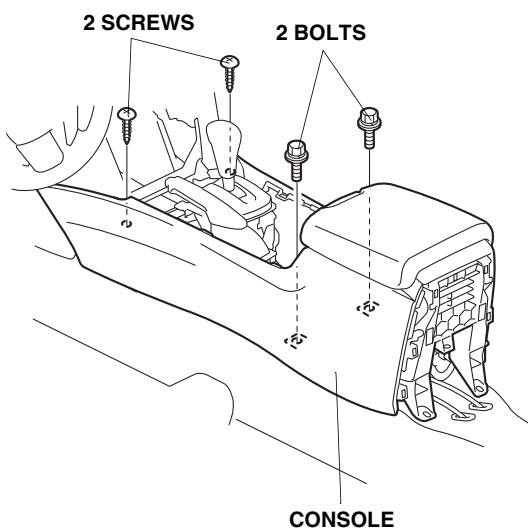
- Insert the ignition key in the shift lock release hole, and move the shift lever to the "N" position while pressing down on the key.
- Attach masking tape around the shift lever as shown.
- Remove the console panel (12 clips and vehicle connector).
- Remove the cover from the console (seven clips).



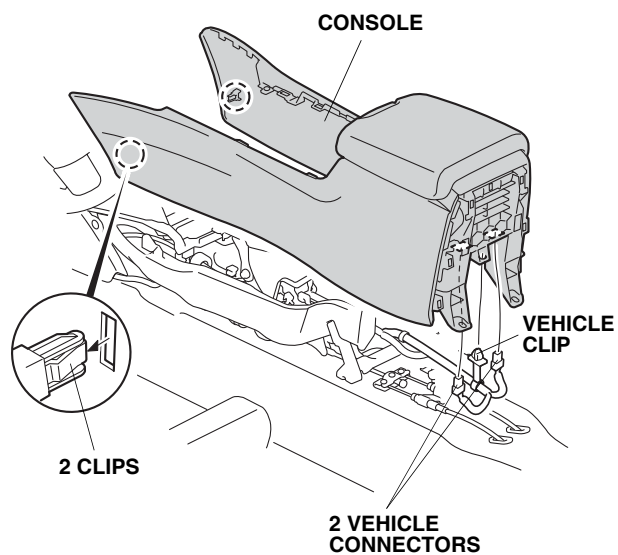
23. Remove the two bolts.



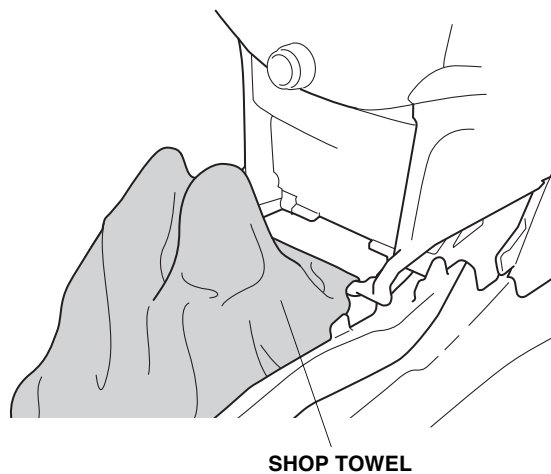
24. Remove the two screws and two bolts.



25. Remove the console (two clips, one vehicle clip, and two vehicle connectors).



26. Place a shop towel as shown.

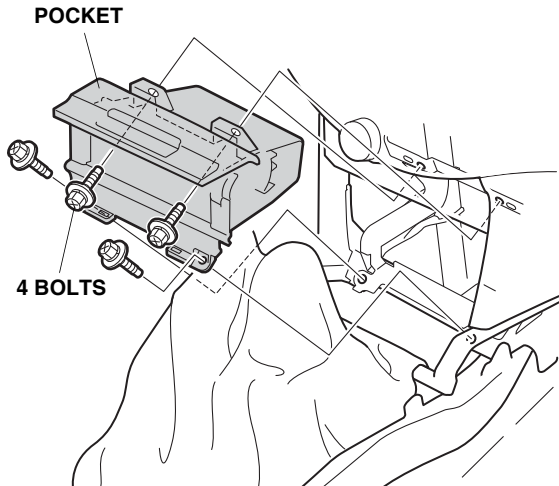


If the vehicle is equipped with a navigation system, continue with step 27.

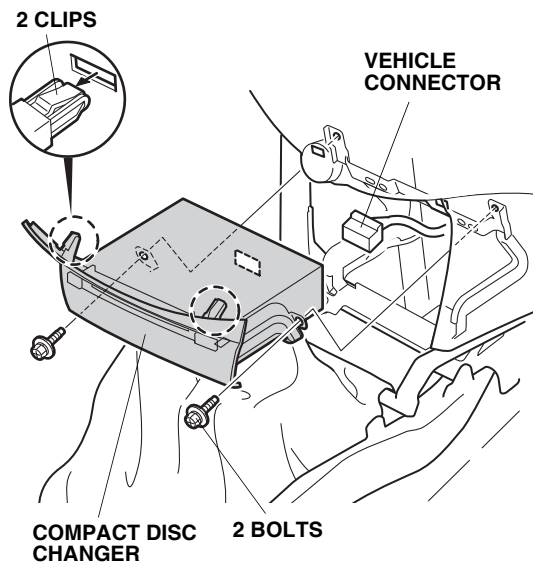
Without navigation system, go to step 29.

### With Navigation System

27. Remove the pocket (four bolts).

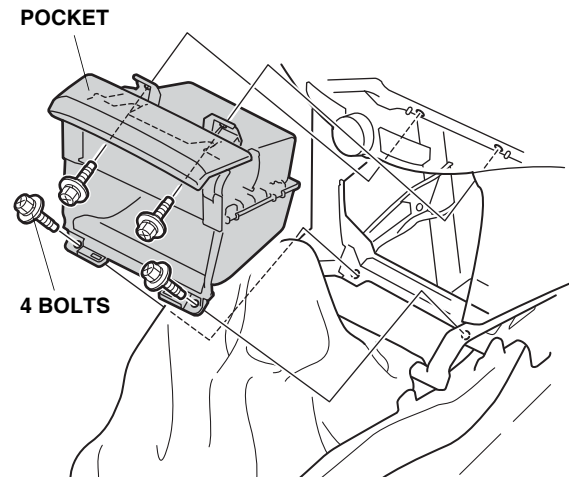


28. Remove the compact disc changer (two bolts, two clips, and vehicle connector). Go to step 30.



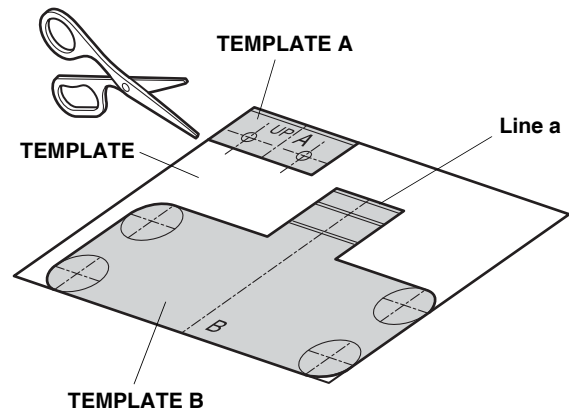
### Without Navigation System

29. Remove the pocket (four bolts).



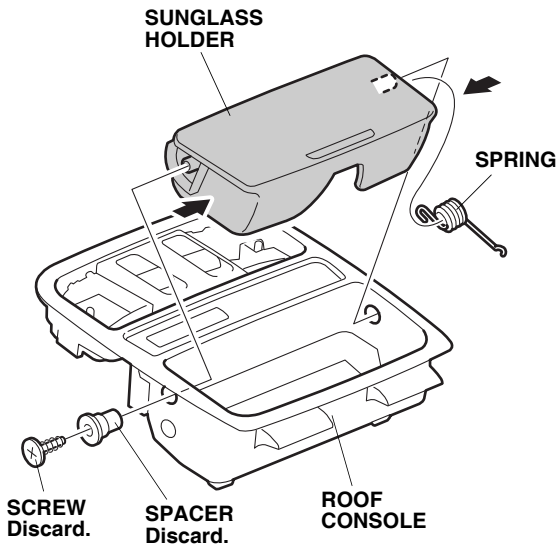
### Installing the Control Unit

30. Using a scissors, cut out template A and template B.

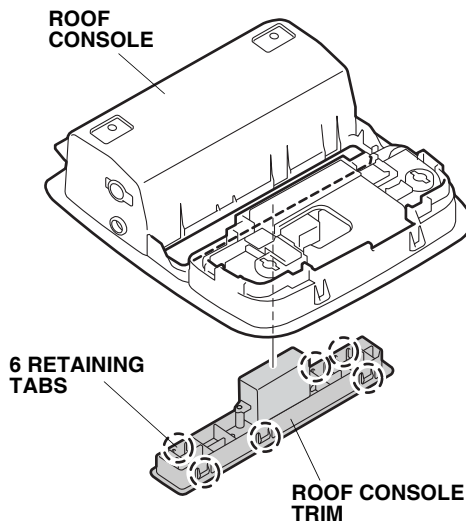




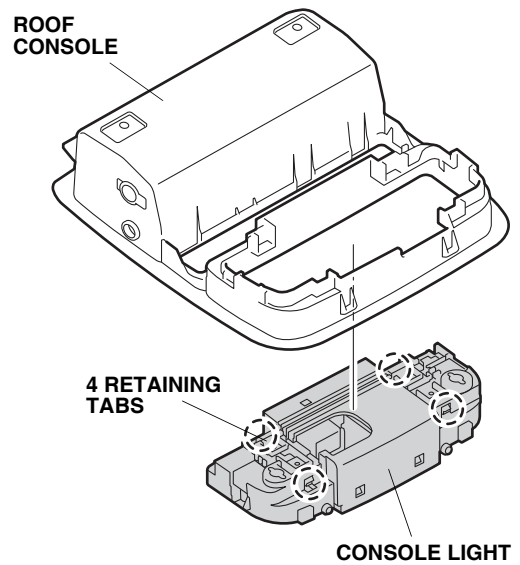
31. Remove the sunglass holder from the roof console (one screw, one spacer, and one spring).



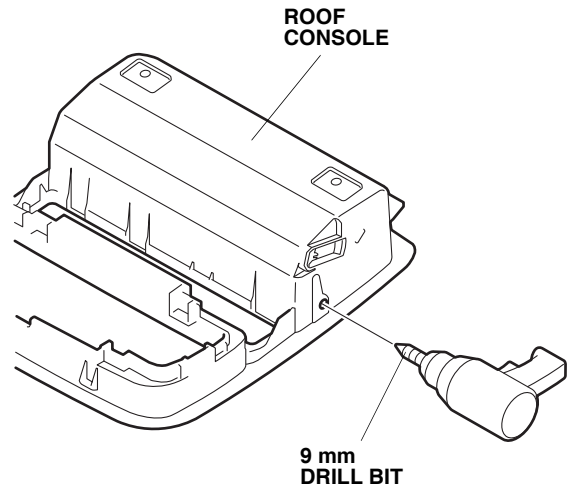
32. Remove the roof console trim from the roof console (six retaining tabs).



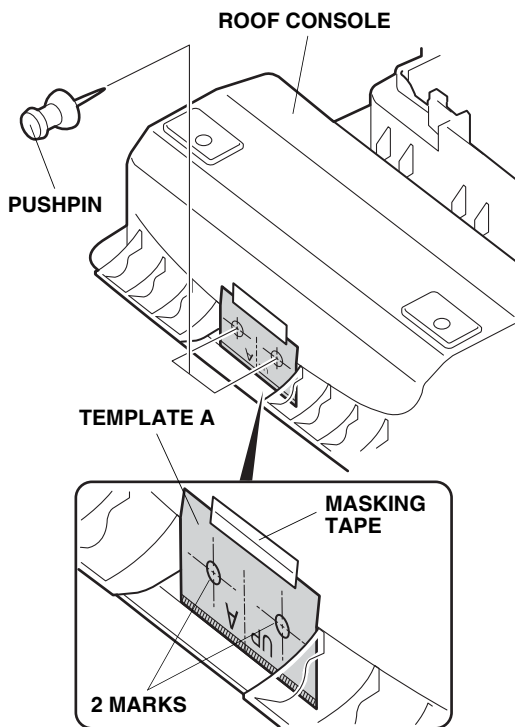
33. Remove the console light from the roof console (four retaining tabs).



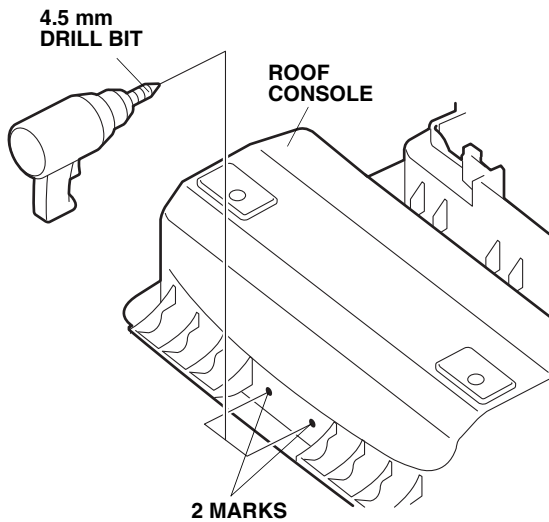
34. While wearing eye protection, enlarge the sunglass holder installation hole on the roof console with a 9 mm drill bit. Make sure to drill at the correct position.



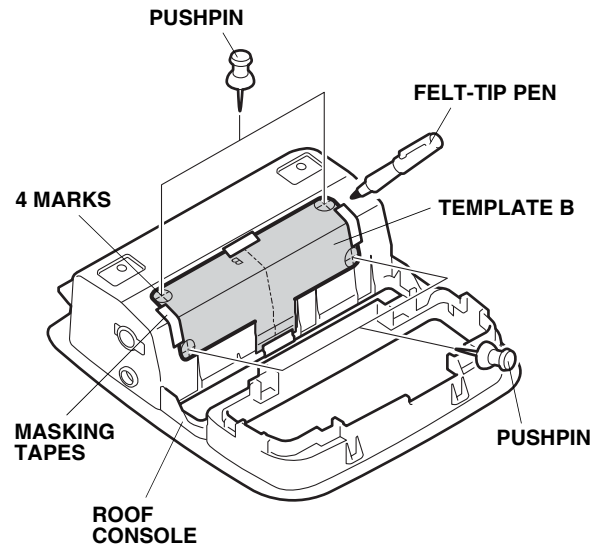
35. Tape template A to the roof console at the indicated position.



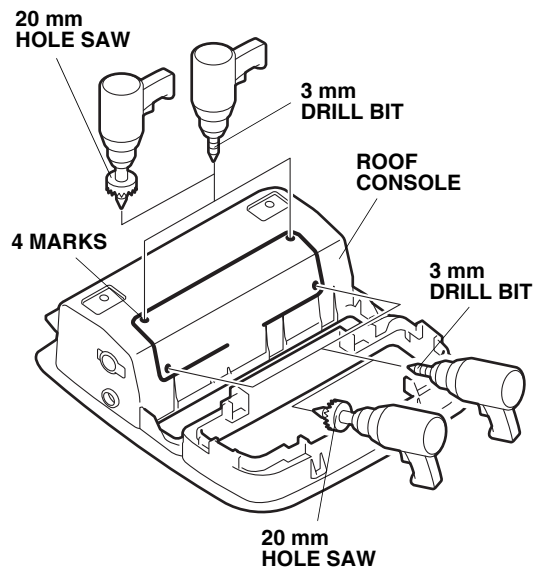
36. Using a pushpin, mark the roof console as indicated on the template.
37. Remove the template.
38. While wearing eye protection, drill the two marked locations to 4.5 mm.



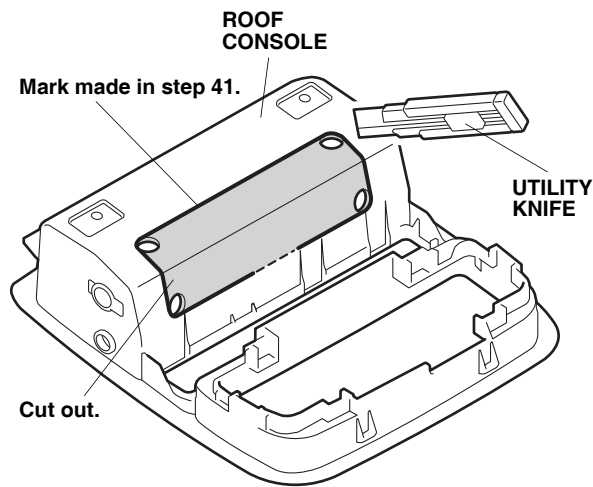
39. Tape template B to the roof console at the indicated position.



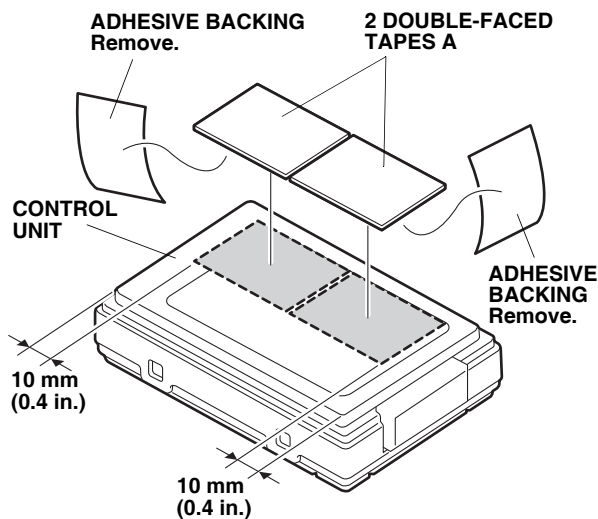
40. Using a pushpin, mark the roof console as indicated on the template.
41. Using a felt-tip pen, mark the roof console around the template.
42. Remove the template.
43. While wearing eye protection, drill the four marked locations to 20 mm. First drill with a 3 mm drill bit, and finish with a 20 mm hole saw.



44. Using a utility knife, cut along the marking made on the roof console in step 41.

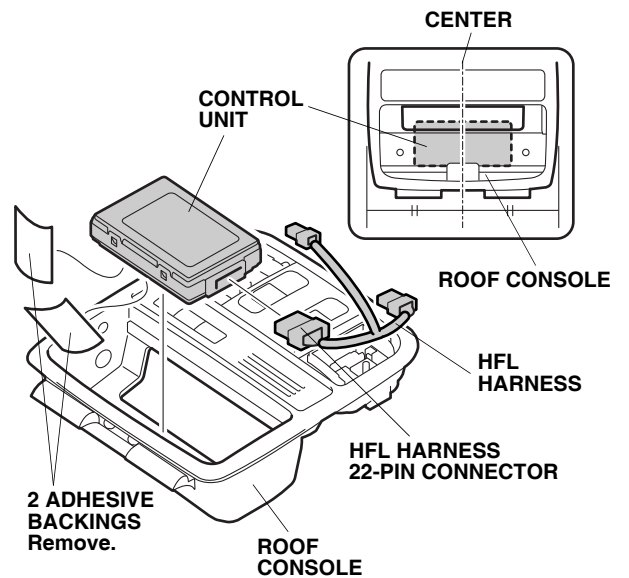


45. Remove any burrs.  
 46. Reinstall the console light and roof console trim to the roof console.  
 47. Using isopropyl alcohol on a shop towel, clean the areas where the double-faced tapes A will attach.

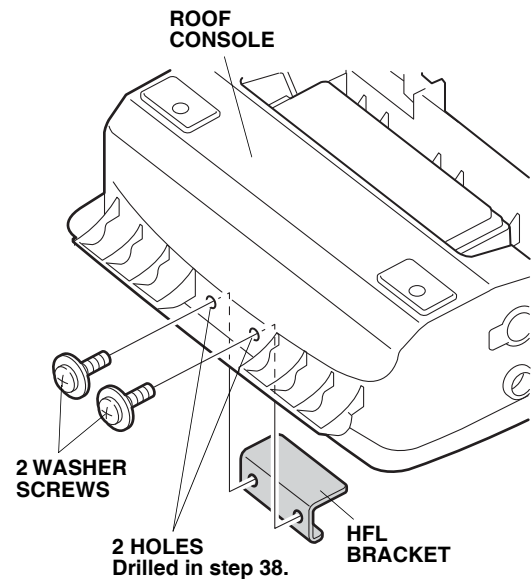


48. Remove the adhesive backings, and attach the two double-faced tapes A to the control unit at the measurements shown.

49. Plug the HFL harness 22-pin connector into the control unit.

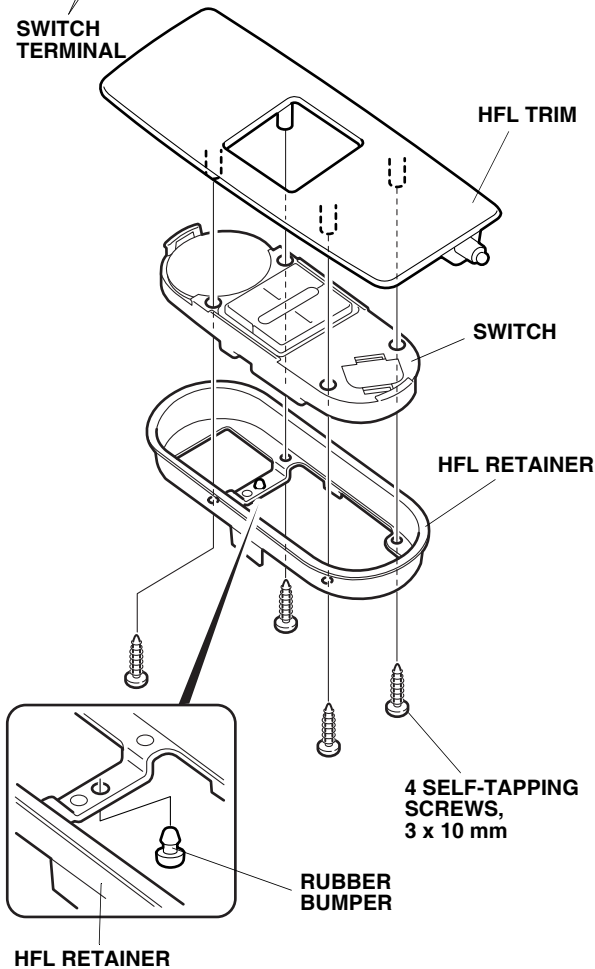
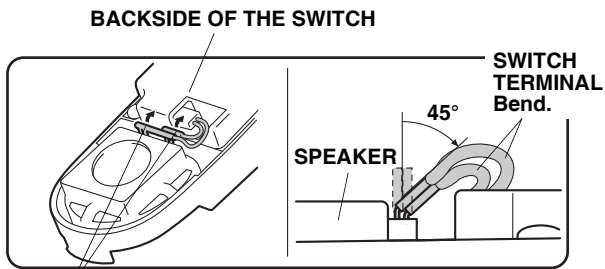


50. Using isopropyl alcohol on a shop towel, clean the areas where the control unit will attach.  
 51. Remove the adhesive backings, and attach the control unit to the roof console.  
 52. Using two washer screws, secure the HFL bracket to the roof console.



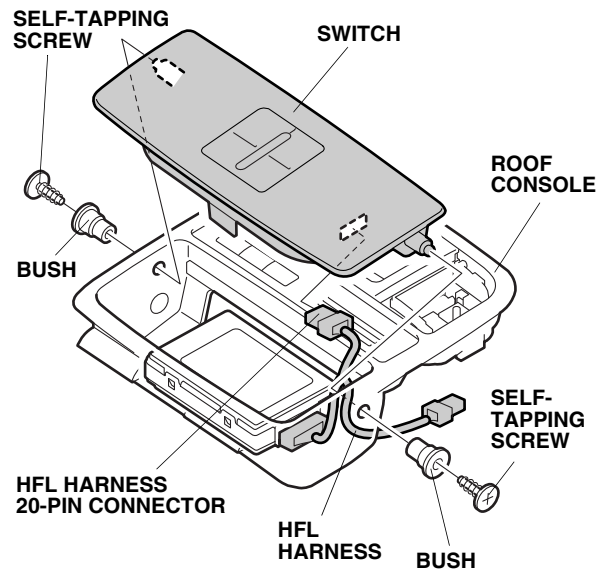
## Installing the Switch

53. Bend the switch terminal as shown.



54. Insert the rubber bumper into the HFL retainer.
55. Assemble the HFL retainer, switch, and HFL trim with four 3 x 10 mm self-tapping screws.

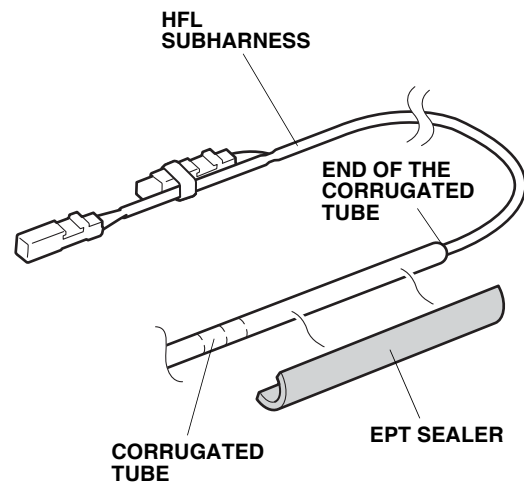
56. Plug the HFL harness 20-pin connector into the switch.



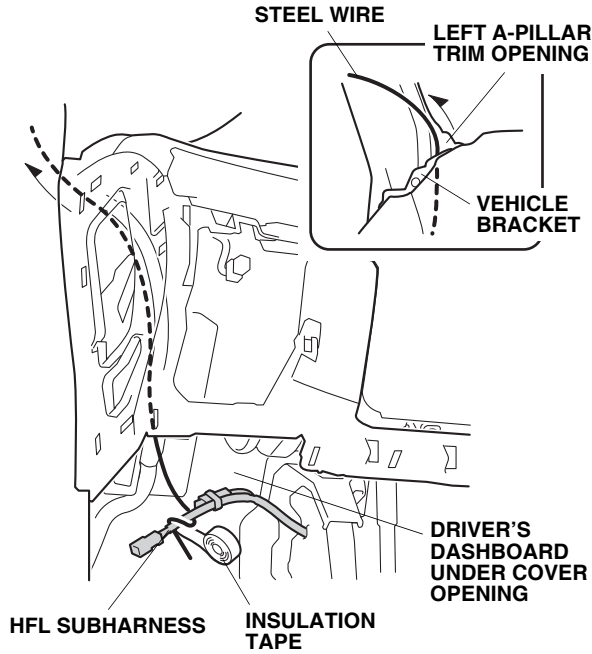
57. Install the switch assembly to the roof console with two self-tapping screws and two bushes.

## Routing the Harness

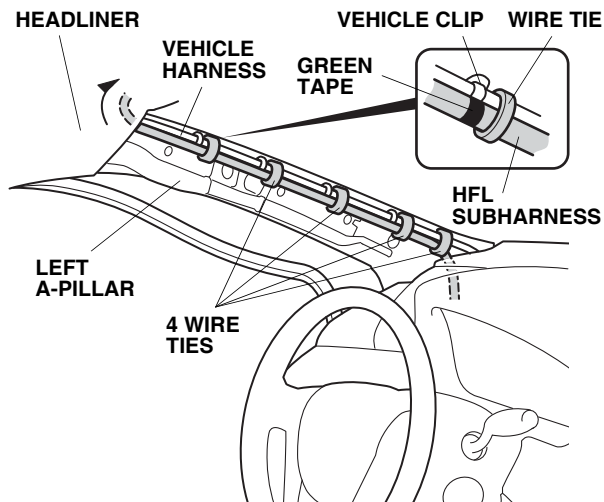
58. Wrap one EPT sealer around the HFL subharness in the position shown.



59. Attach a piece of steel wire to the HFL subharness as shown. Wrap insulation tape around the steel wire and the HFL subharness.

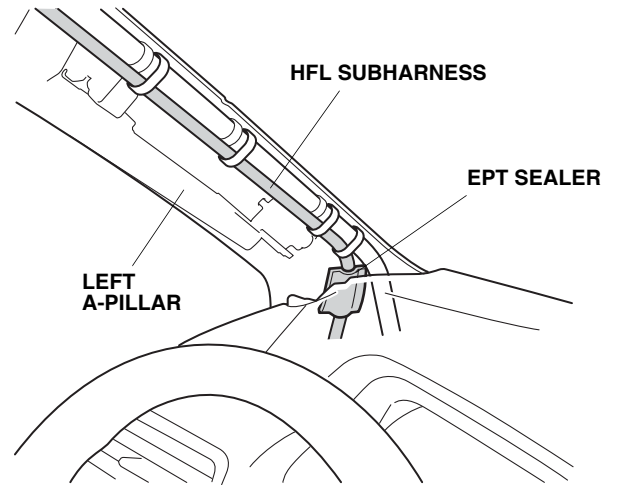


60. Route the steel wire to the left A-pillar trim opening.  
 61. Remove the steel wire.  
 62. Route the HFL subharness up the left A-pillar. Align the green tape on the HFL subharness with the vehicle clip.

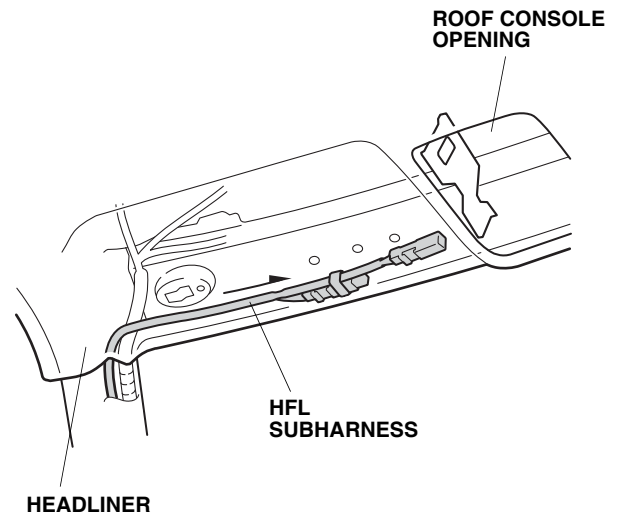


63. Secure the HFL subharness to the vehicle harness with five wire ties.

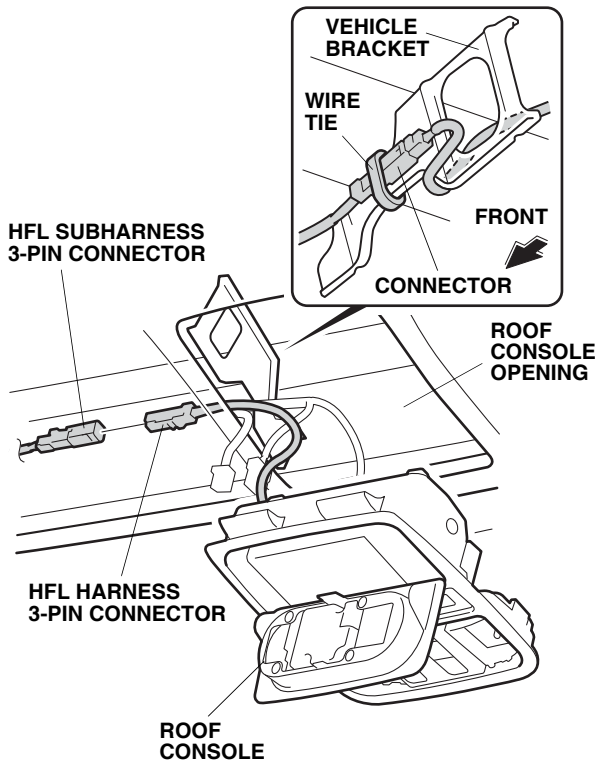
64. Using isopropyl alcohol on a shop towel, clean the area where the EPT sealer will attach.



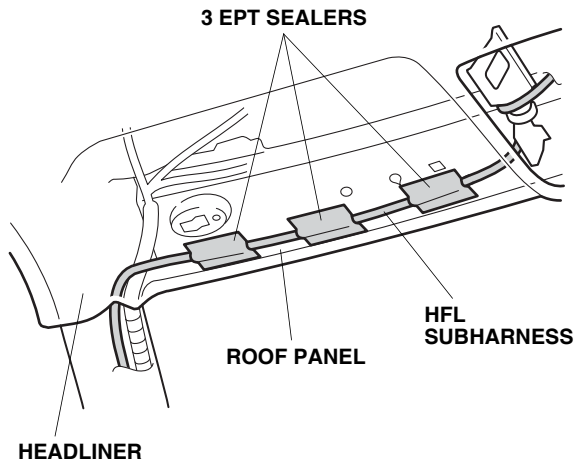
65. Secure the HFL subharness to the left A-pillar with one EPT sealer.  
 66. Route the HFL subharness to the roof console opening.



67. Have an assistant hold the roof console near the roof console opening. Plug the HFL harness 3-pin connector into the HFL subharness 3-pin connector.

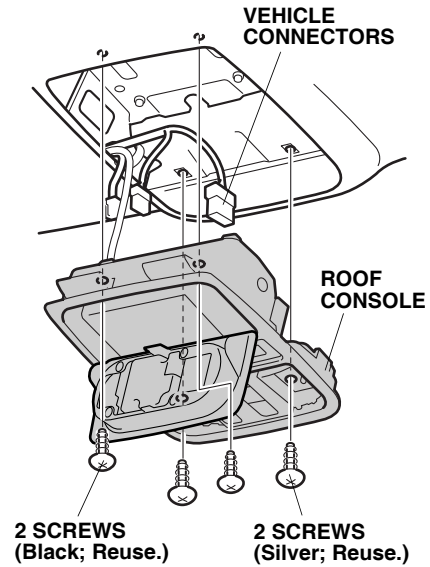


68. Secure the connector to the vehicle bracket with one wire tie.
69. Using isopropyl alcohol on a shop towel, clean the areas where the EPT sealers will attach.

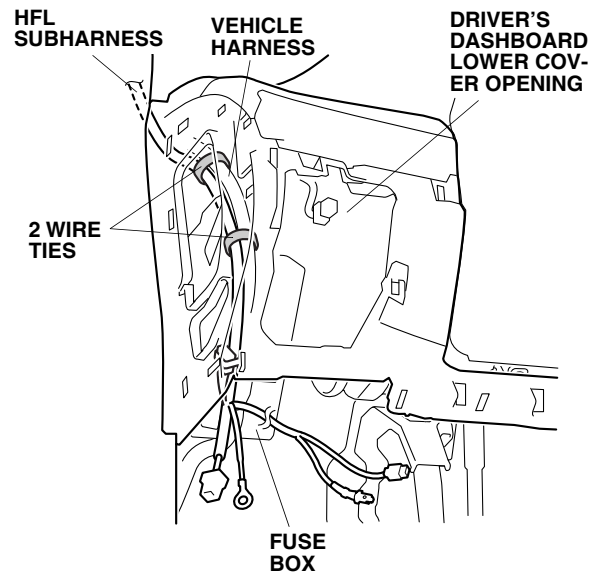


70. Under the headliner, secure the HFL subharness to the roof panel with three EPT sealers.

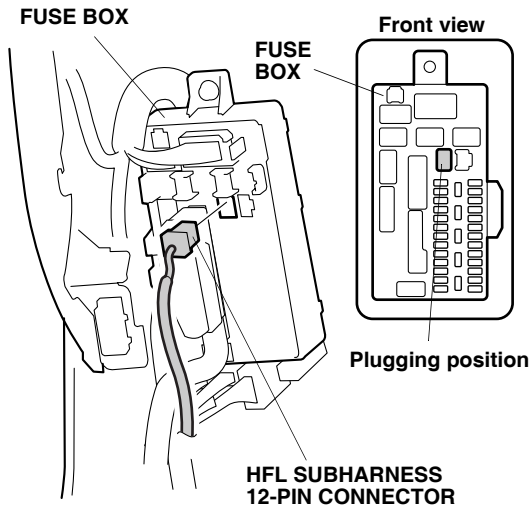
71. Reinstall the roof console.



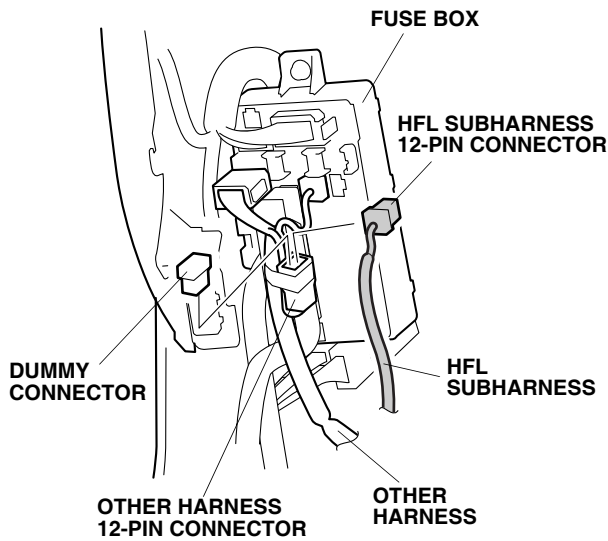
72. Secure the HFL subharness to the vehicle harness with two wire ties.



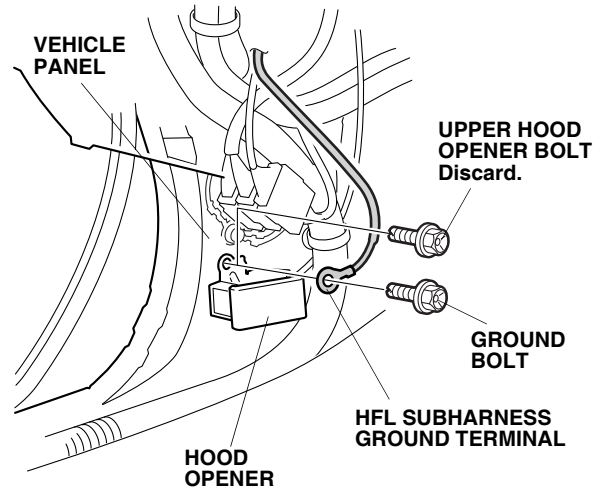
73. Plug the HFL subharness 12-pin connector into the fuse box.



- If another accessory is already connected, remove the dummy connector from the 12-pin connector of the other harness and plug the 12-pin connector of the HFL subharness to the other harness.

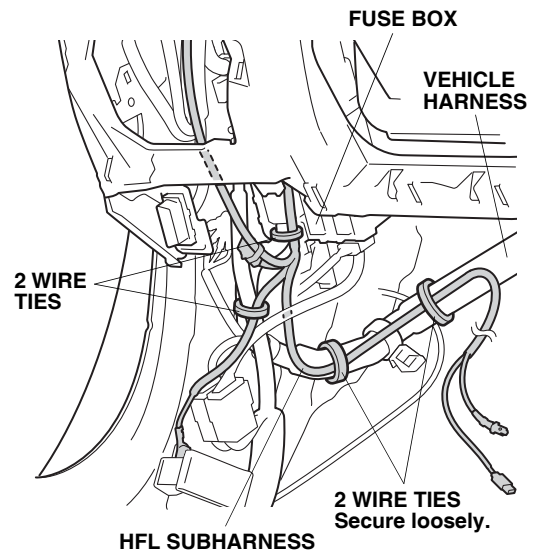


74. Remove the upper hood opener bolt.

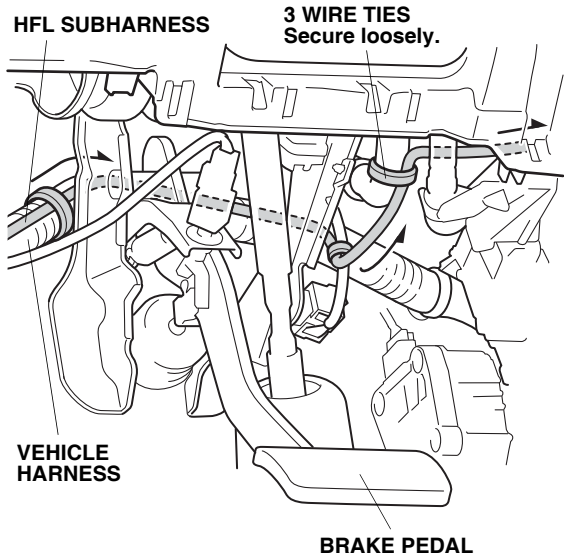


75. Secure the HFL subharness ground terminal to the upper hole of the hood opener using one ground bolt.

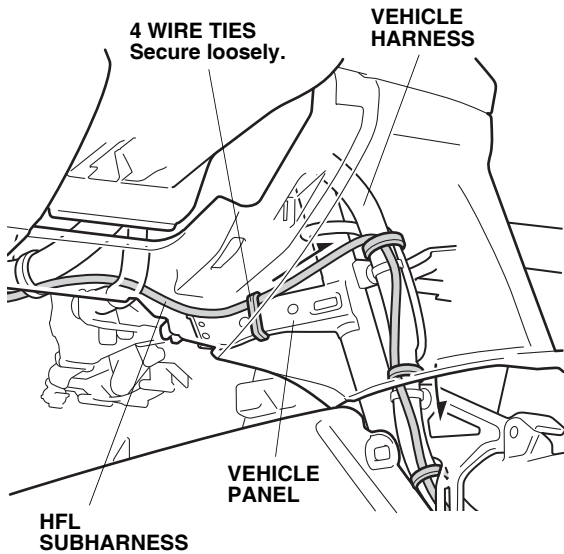
76. Secure the HFL subharness to the vehicle harness with two wire ties.



- 77. Loosely secure the HFL subharness to the vehicle harness with two wire ties.
- 78. Route the HFL subharness along the vehicle harness as shown.

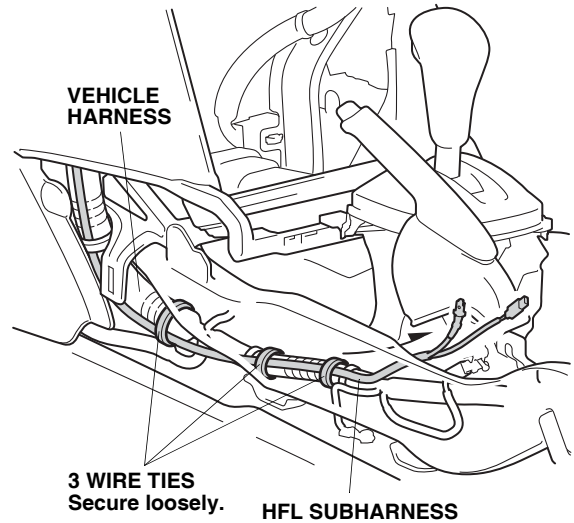


- 79. Loosely secure the HFL subharness to the vehicle harness with three wire ties.
- 80. Route the HFL subharness as shown.



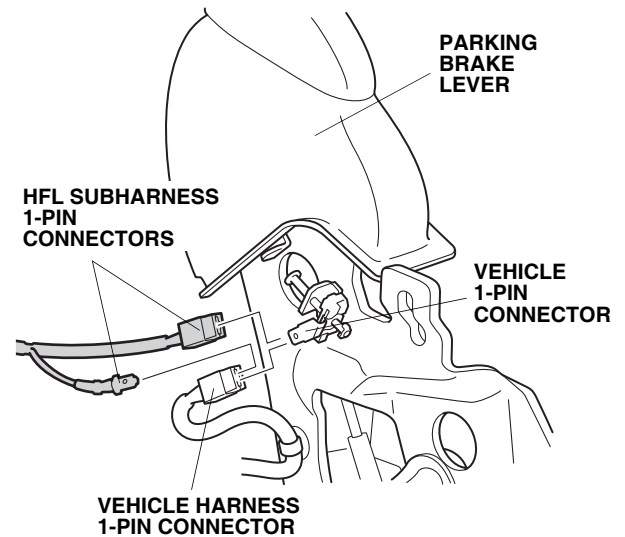
- 81. Loosely secure the HFL subharness to the vehicle panel and vehicle harness with four wire ties.

- 82. Route the HFL subharness along the vehicle harness.



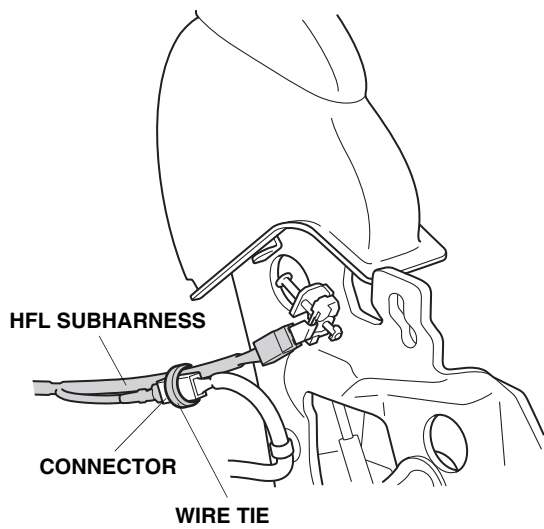
- 83. Loosely secure the HFL subharness to the vehicle harness with three wire ties.

- 84. Unplug the vehicle harness 1-pin connector, and plug the HFL subharness 1-pin connectors in between.

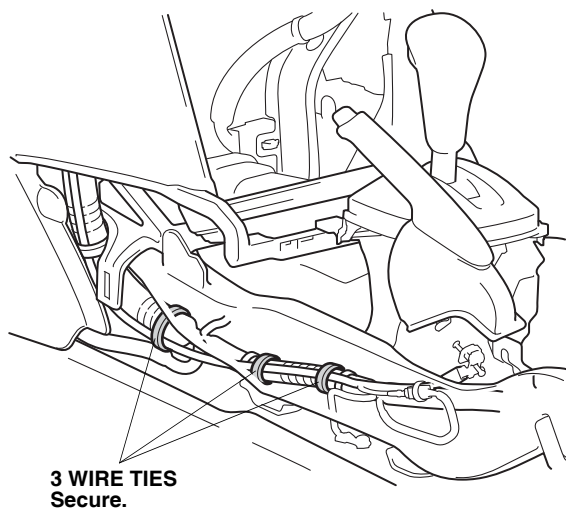




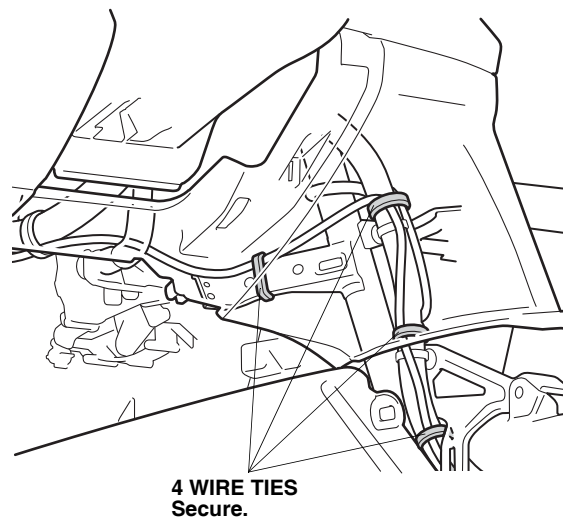
85. Secure the connector to the HFL subharness with one wire tie.



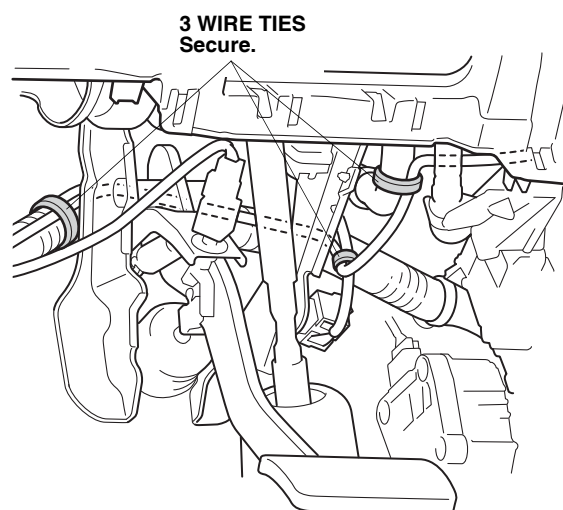
86. Secure the three wire ties installed in step 83.



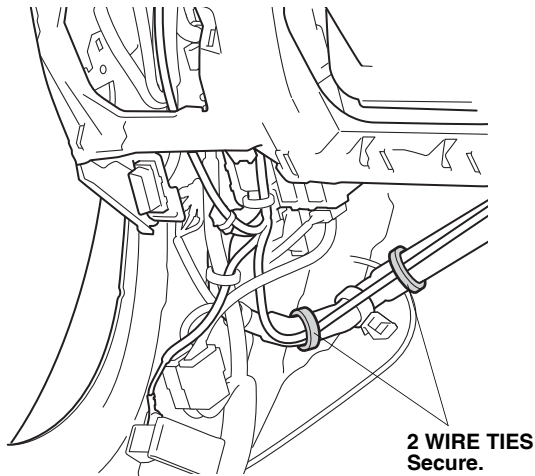
87. Secure the four wire ties installed in step 81.



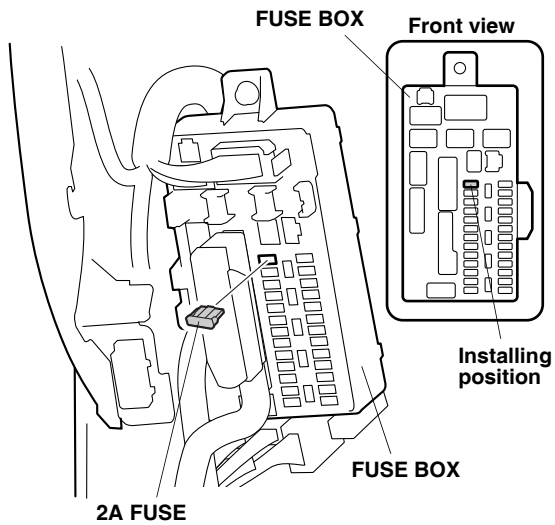
88. Secure the three wire ties installed in step 79.



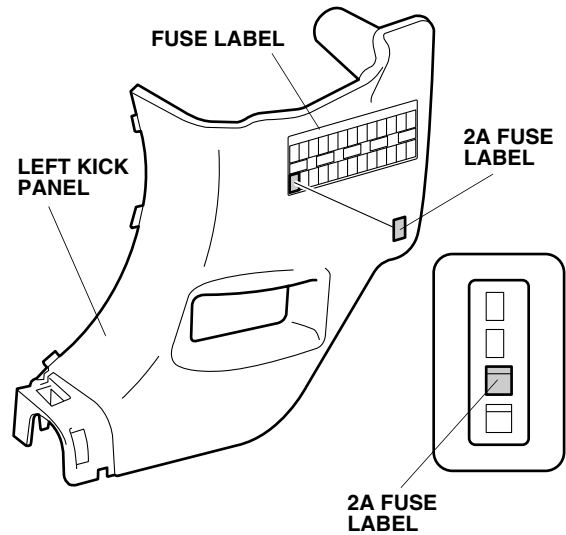
89. Secure the two wire ties installed in step 77.



90. Install the 2A fuse in the fuse box in the location shown.



91. Using isopropyl alcohol on a shop towel, clean the area where the fuse label will attach.



92. Attach the HFL 2A fuse label to the left kick panel at the location shown.
93. Check that all wire harnesses are routed properly and all connectors are plugged in.
94. Reinstall all removed parts. Check that all clips are installed securely.
95. Reconnect the negative cable to the battery.
96. Enter the customer's audio system or navigation system (if equipped) anti-theft code.
97. Reset the clock (for vehicles without navigation system).