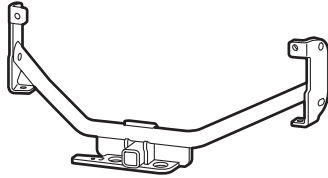
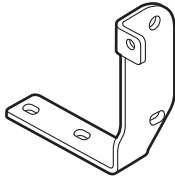


**PARTS LIST**
**Trailer Hitch Kit  
P/N 08L92-TP6-100**

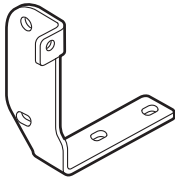
Main bar



Right bracket



Left bracket



2 Upper brackets

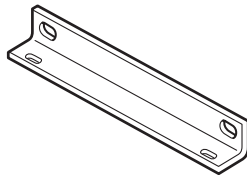


Plate A (8 mm)

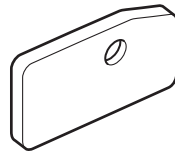
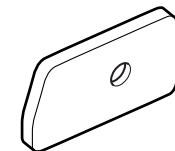
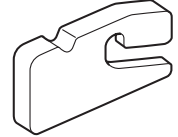
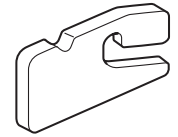
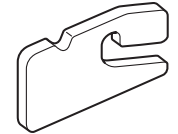
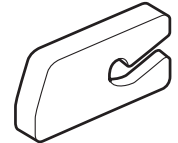
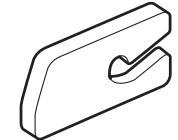
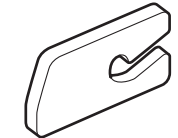
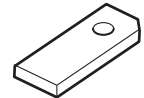


Plate B (8 mm)


 Upper spacer A (5 mm)  
 (Some are not used.)

 Upper spacer B (3 mm)  
 (Some are not used.)

 2 Upper spacers C (1 mm)  
 (Some are not used.)

 Lower spacer A (5 mm)  
 (Some are not used.)

 Lower spacer B (3 mm)  
 (Some are not used.)

 2 Lower spacers C (1 mm)  
 (Some are not used.)


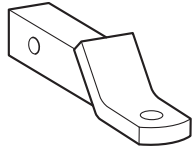
2 Spacers D (3.4 mm)



2 Spacers E (2 mm)



Ball mount



14 Nuts, 10 mm



2 Bolts, 8 x 30 mm



18 Bolts, 10 x 35 mm



2 Washers, 8 mm



32 Washers, 10 mm



2 Spring washers, 8 mm



18 Spring washers, 10 mm



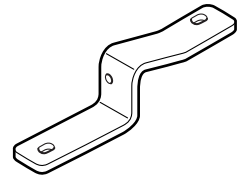
Hitch pin



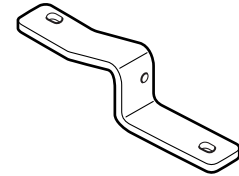
Pin clip



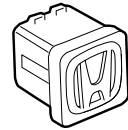
Right support



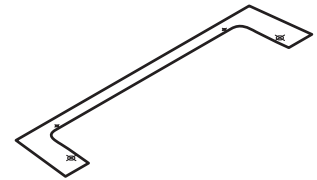
Left support



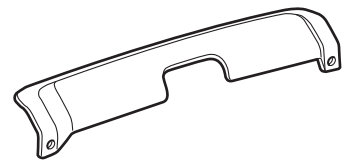
Receiver cover



Template



Lower trim



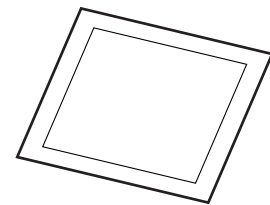
2 Spring nuts



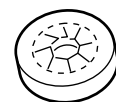
2 Self-tapping screws



Alcohol swab

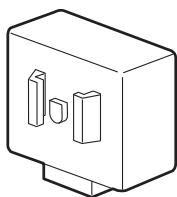


2 Push nuts

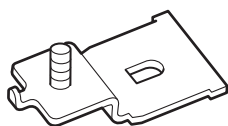


**Harness Kit (sold separately)**  
**P/N 08L91-TP6-100**

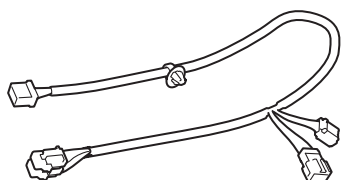
Trailer control unit



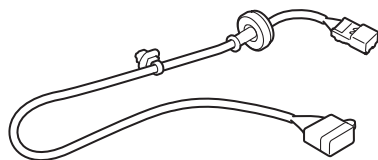
Control unit bracket



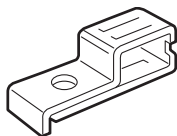
Trailer harness



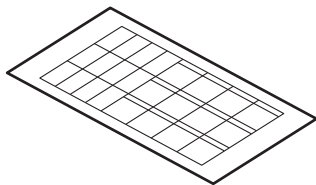
Trailer socket harness



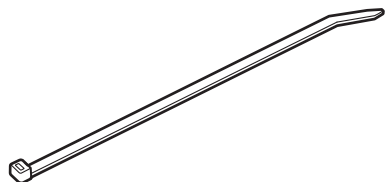
Connector bracket



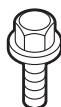
Fuse label



2 Wire ties A



Flange bolt, 6 x 16 mm



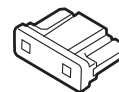
2 Flange nuts



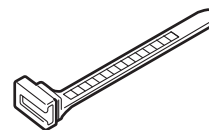
Clip



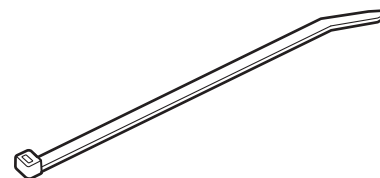
Fuse



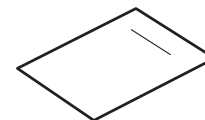
Wire tie with holder



7 Wire ties B



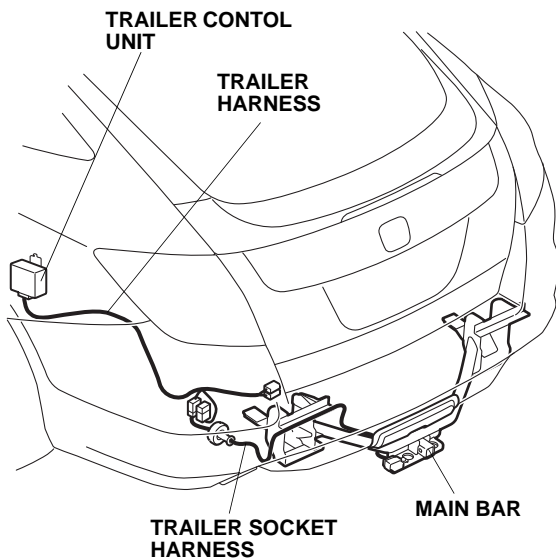
Accessory User's Information Manual



## TOOLS AND SUPPLIES REQUIRED

Phillips screwdriver  
Flat-tip screwdriver  
10 mm, 12 mm, 14 mm, and 17 mm Combination wrenches  
10 mm, 12 mm, 14 mm, and 17 mm Sockets  
Ratchet  
Tape measure  
Diagonal cutters  
Isopropyl alcohol  
Shop towel  
Masking tape  
Felt-tip pen  
Pushpin  
Drill  
3 mm, 5 mm and 6 mm Drill bits  
Blanket  
Utility knife  
Torque wrench  
File  
Tin snips  
Air saw  
2 Cardboard boxes (180 mm height)  
Clip remover  
Plastic Trim Tool (T/N SILTRIMTL10)  
Eye protection (face shield, safety goggles, etc.)

### ***Illustration of the Trailer Hitch Installed on the Vehicle***

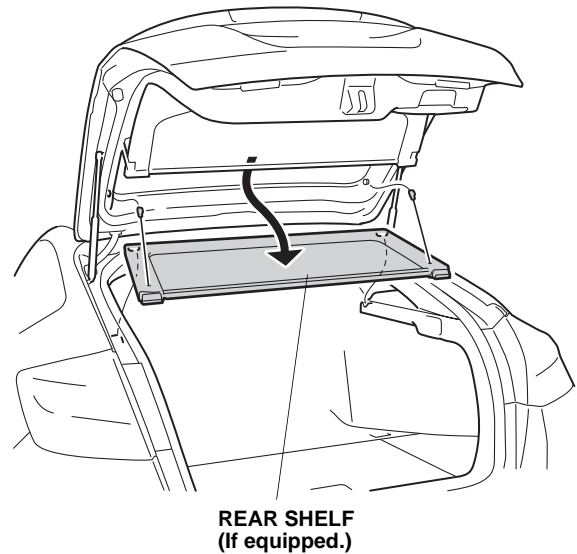


## INSTALLATION

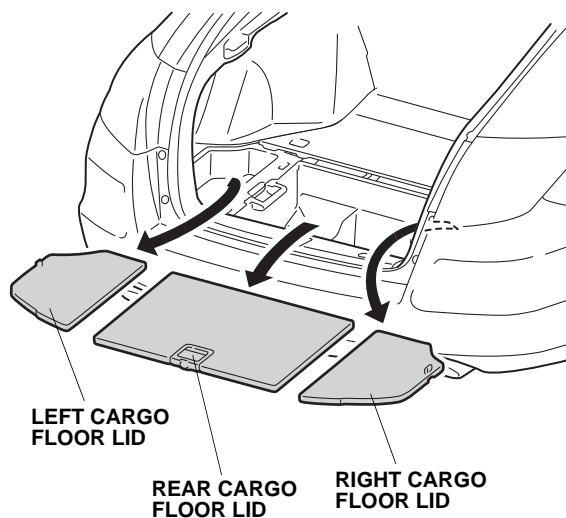
**Customer Information:** The information in this installation instruction is intended for use only by skilled technicians who have the proper tools, equipment, and training to correctly and safely add equipment to your vehicle. These procedures should not be attempted by “do-it-yourselfers.”

### NOTE:

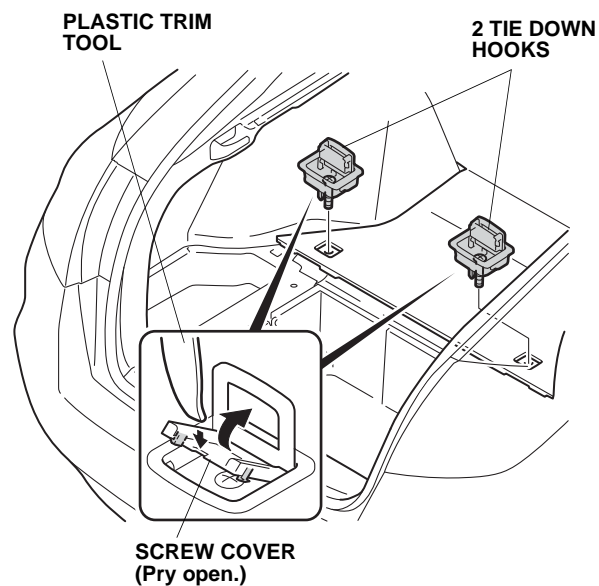
- Install the backup sensor first when both the backup sensor and the trailer hitch are to be mounted on the vehicle.
  - This trailer hitch kit cannot be installed on a vehicle equipped with a rear under spoiler.
1. Make sure you have the anti-theft codes for the audio and navigation system (if equipped), then write down the radio station presets.
  2. Disconnect the negative cable from the battery.
  3. If equipped, remove the rear shelf.



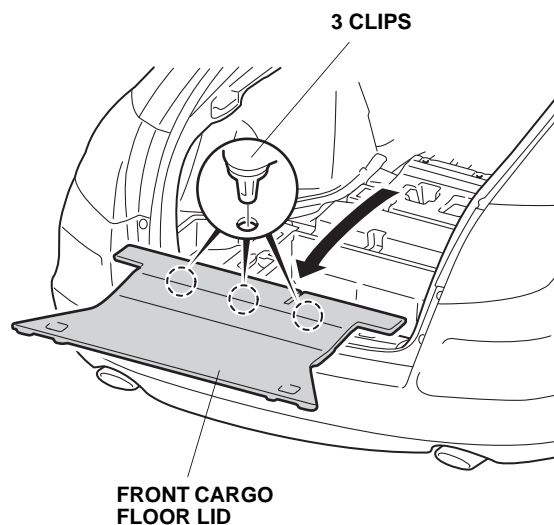
4. Remove the rear cargo floor lid, left cargo floor lid, and right cargo floor lid.



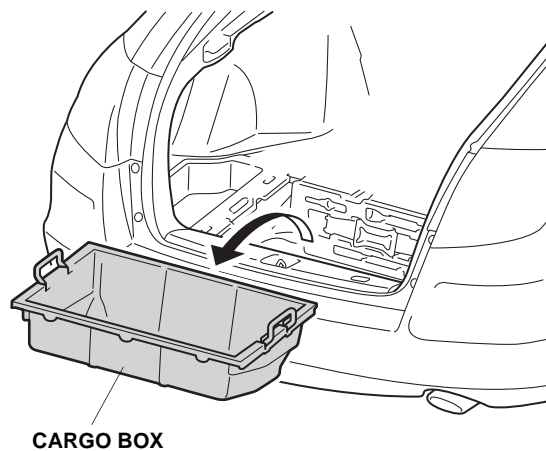
5. Using a plastic trim tool, pry open the screw cover. Remove the tie down hook (one screw). Remove the other cargo hook the same way.



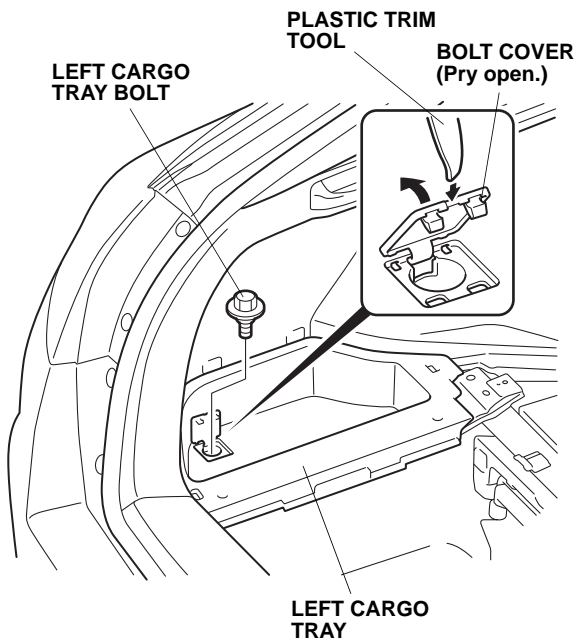
6. Fold down the rear seat back. Remove the front cargo floor lid (three clips).



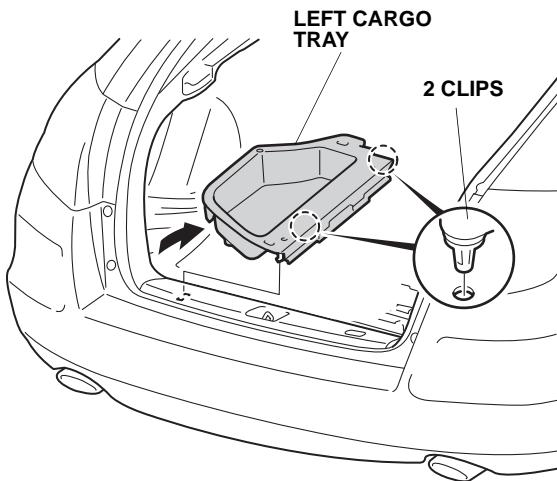
7. Remove the cargo box.



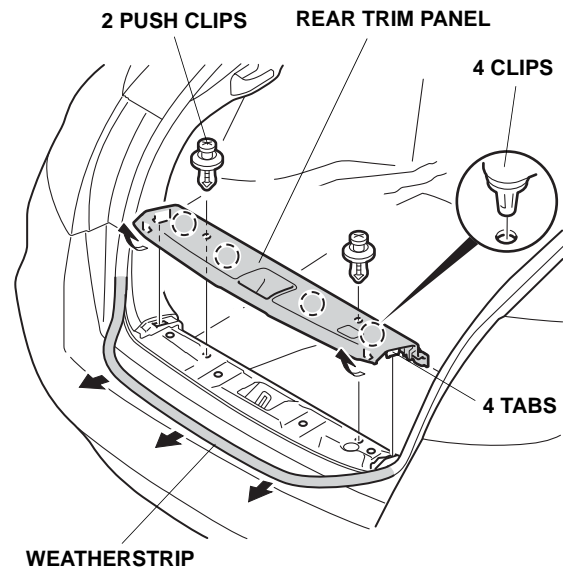
8. Using a plastic trim tool, pry open the bolt cover, and remove the left cargo tray bolt.



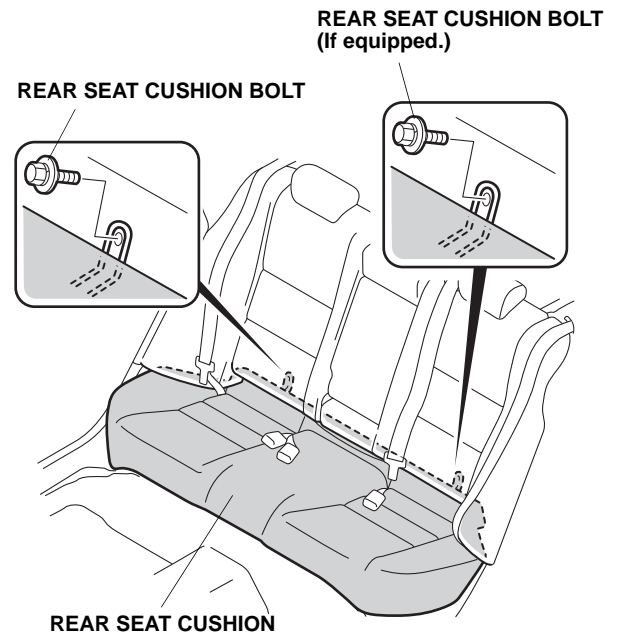
9. Remove the left cargo tray (two clips).



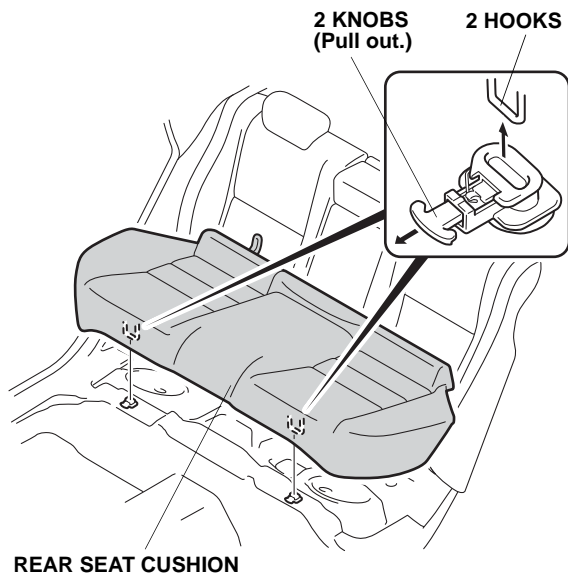
10. Pull away the weatherstrip in the area shown. Remove the rear trim panel (two push clips, four clips, and four tabs).



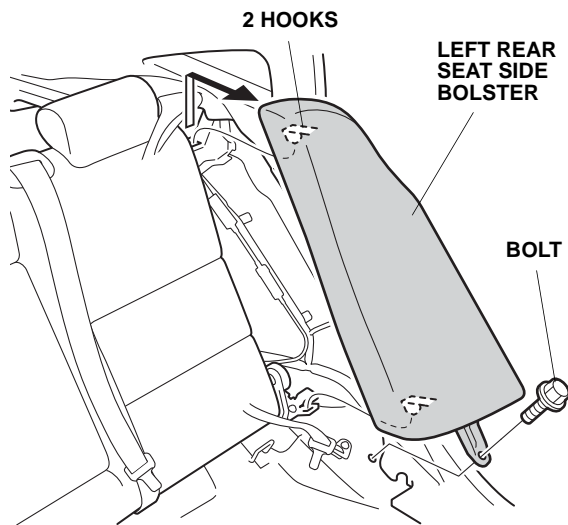
11. Remove the rear seat cushion bolt(s).



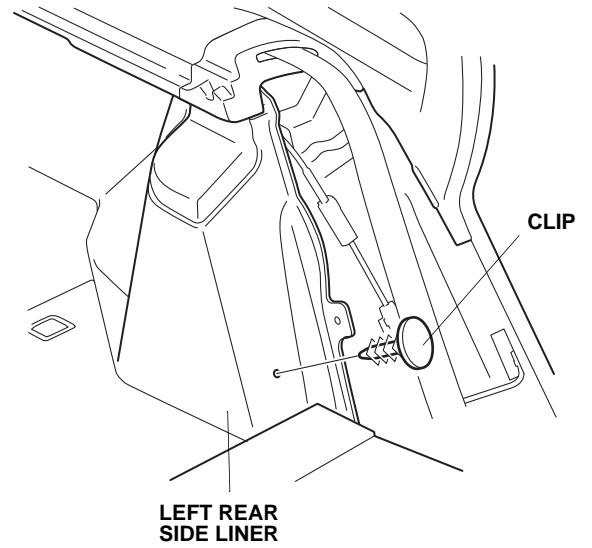
12. Pull out on the two knobs to release the two hooks, and remove the rear seat cushion.



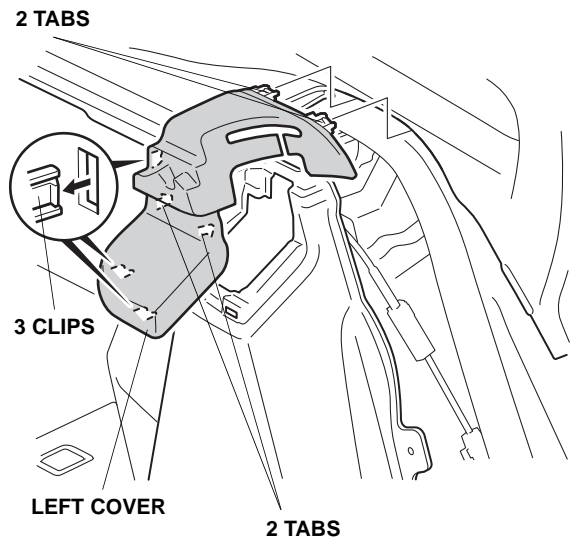
13. Remove the left rear seat side bolster (one bolt and two hooks).



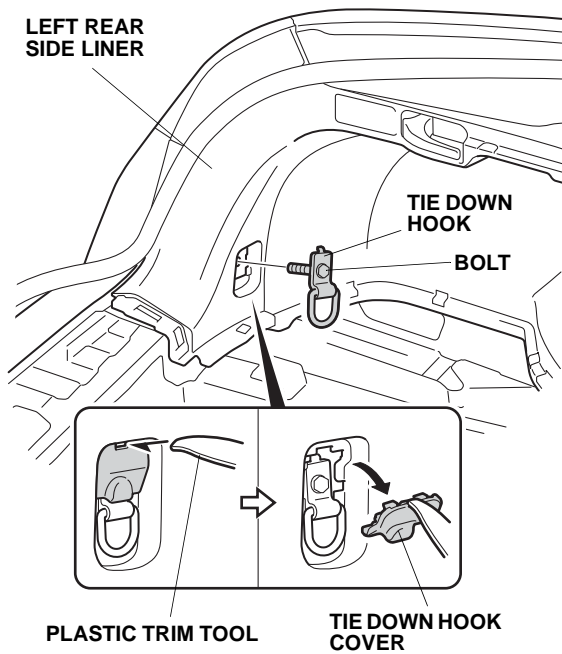
14. Fold down the left rear seat back. Remove the one clip from the left rear side liner.



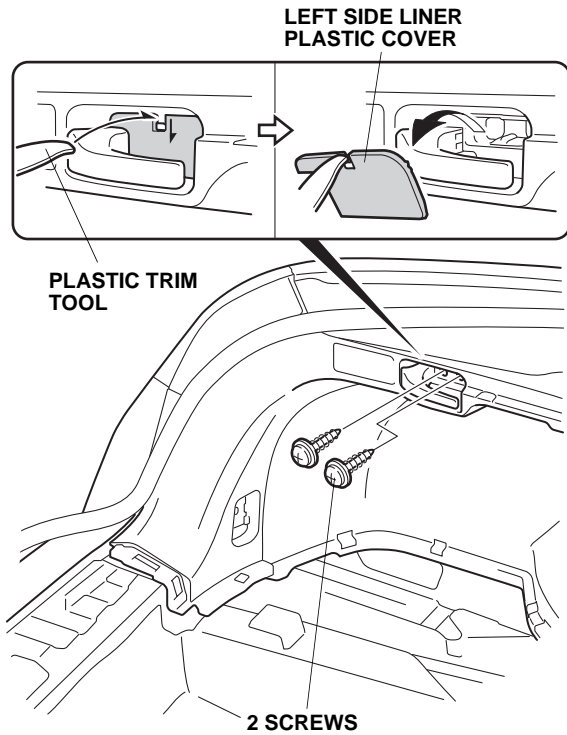
15. Remove the left cover (three clips and four tabs).



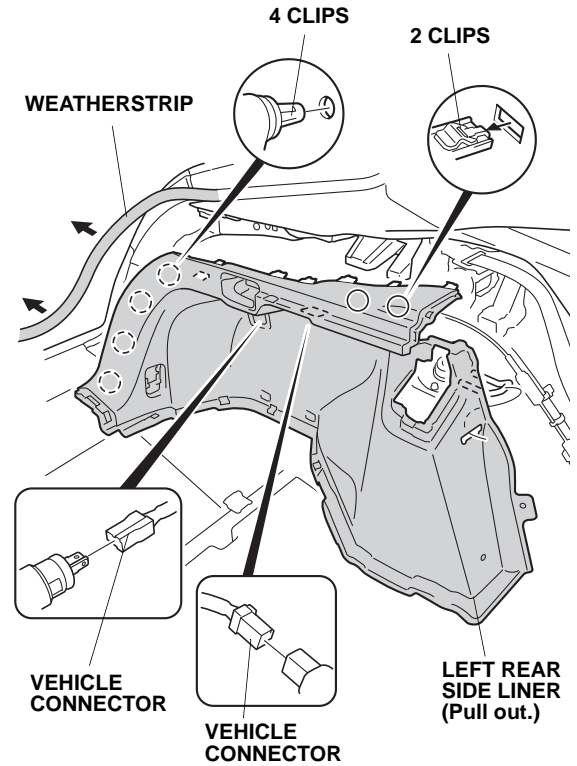
16. Using a plastic trim tool, remove the tie down hook cover. Remove the tie down hook (one bolt).



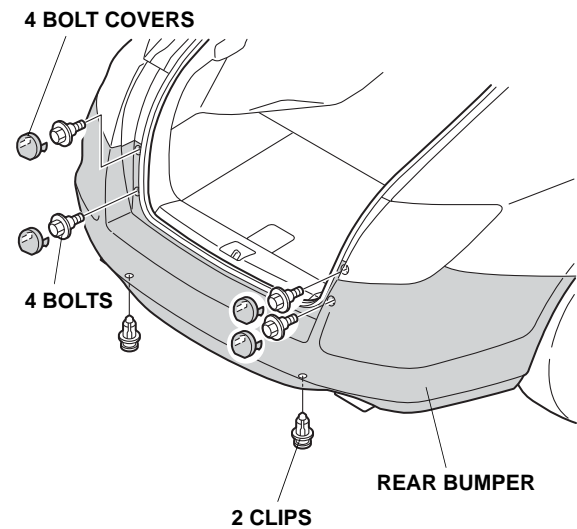
17. Using a plastic trim tool, remove the left side liner plastic cover. Remove the two screws under the cover.



18. Pull away the weatherstrip around the left rear side liner. Remove the six clips and unplug the vehicle connectors, then pull the left rear side liner out of the way.

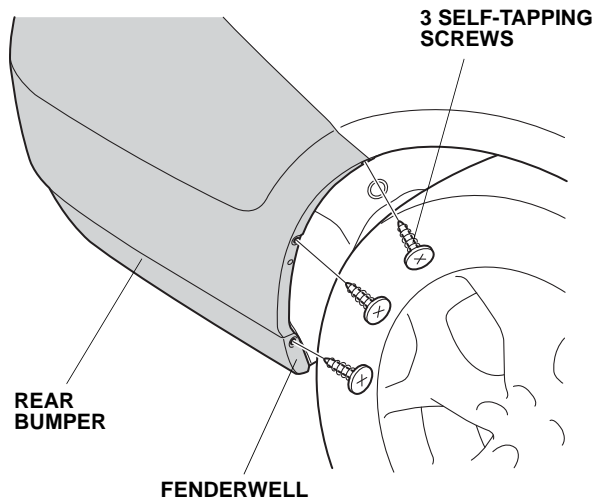


19. Remove the rear bumper:
- Remove the four bolt covers, four bolts, and two clips.

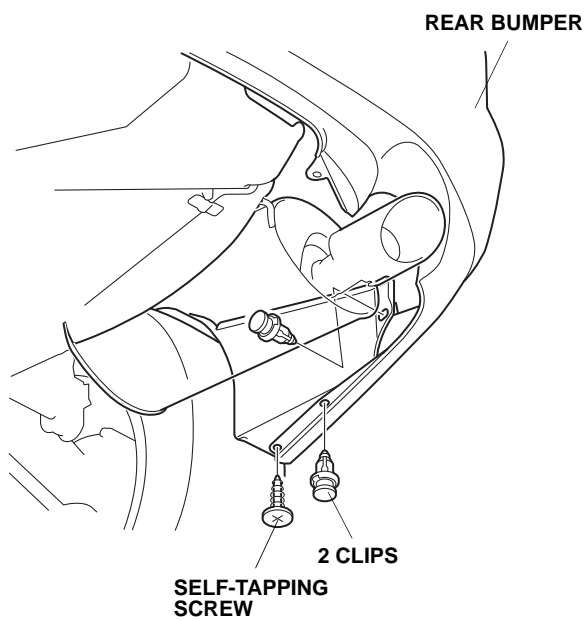




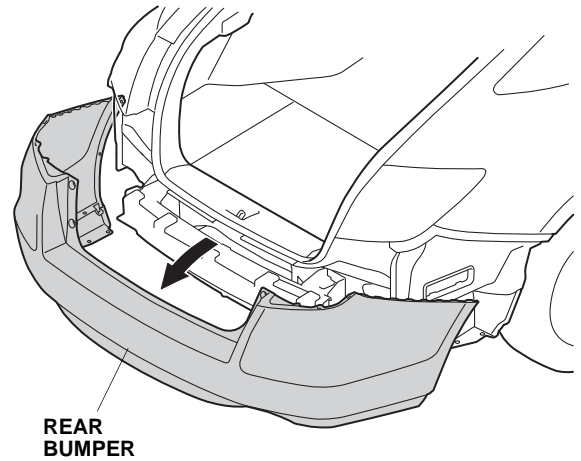
- On each side, remove the three self-tapping screws at the fenderwell.



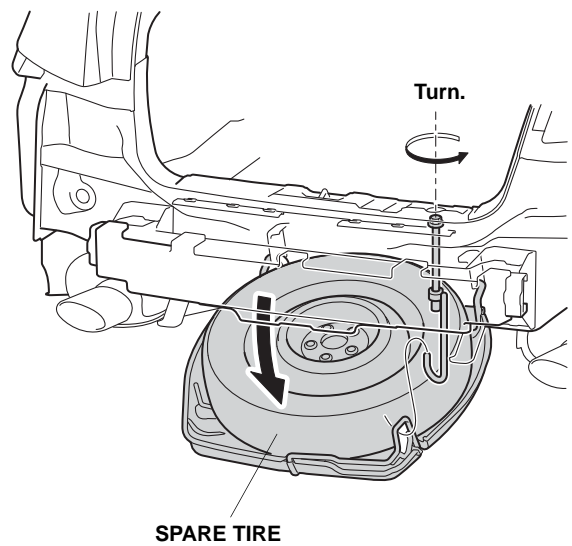
- Under the rear bumper, remove the two clips and one self-tapping screw on each side.



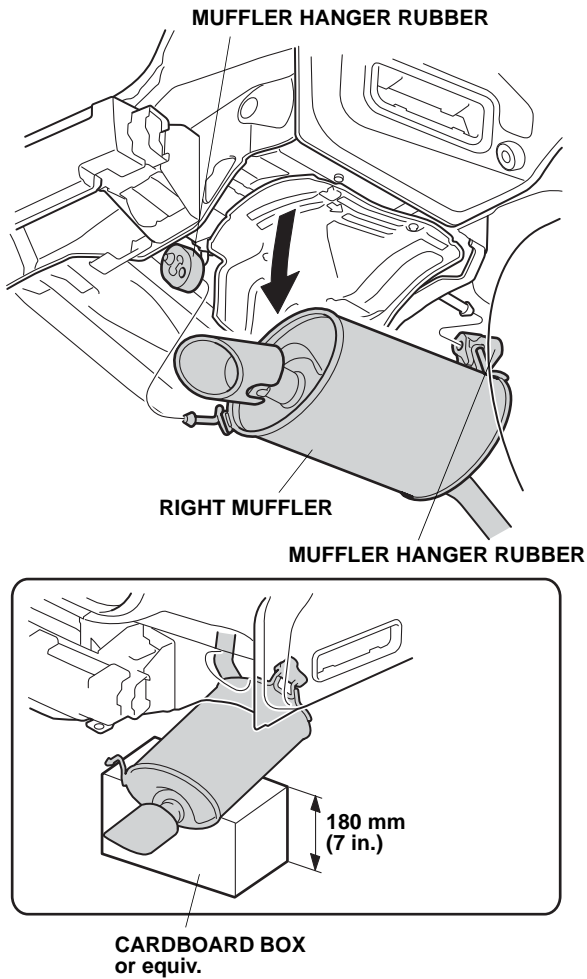
- With the help of an assistant, remove the rear bumper. Place the rear bumper on a blanket to prevent damage.



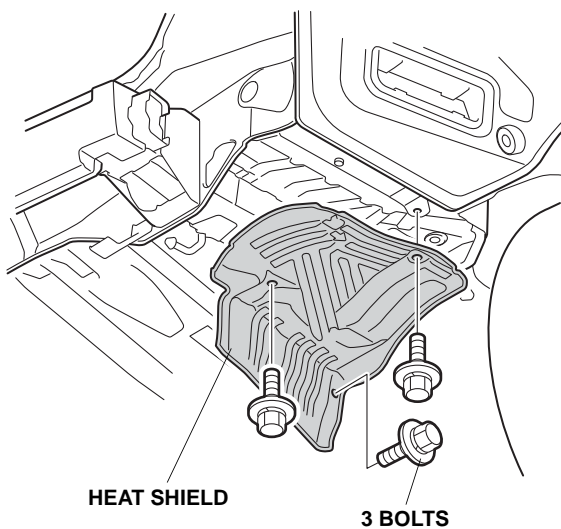
- Lower the spare tire as shown.



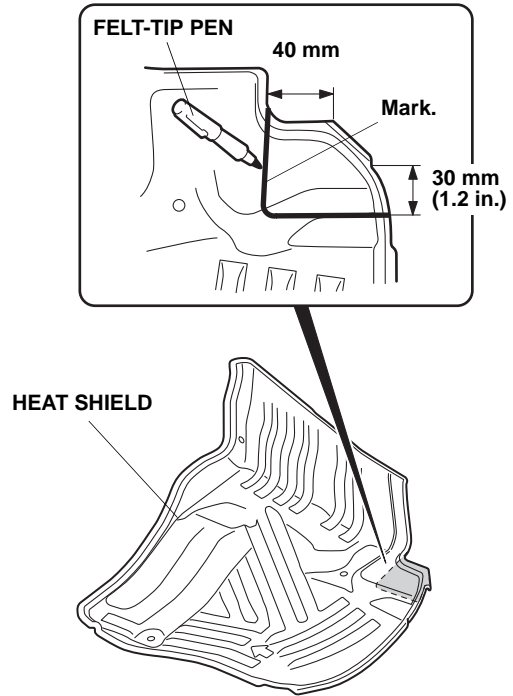
21. Lower the right muffler. Rest the right muffler on a 180 mm (7 in.) height cardboard box or equivalent. Take care not to damage the muffler.



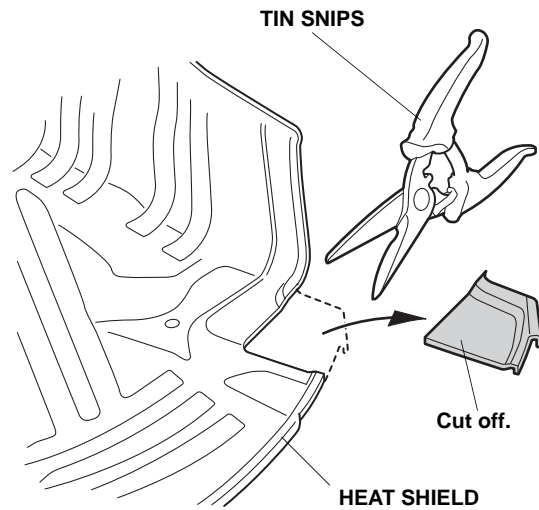
22. Remove the heat shield (three bolts).



23. Using a felt-tip pen, mark the heat shield as shown.



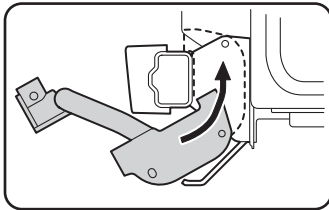
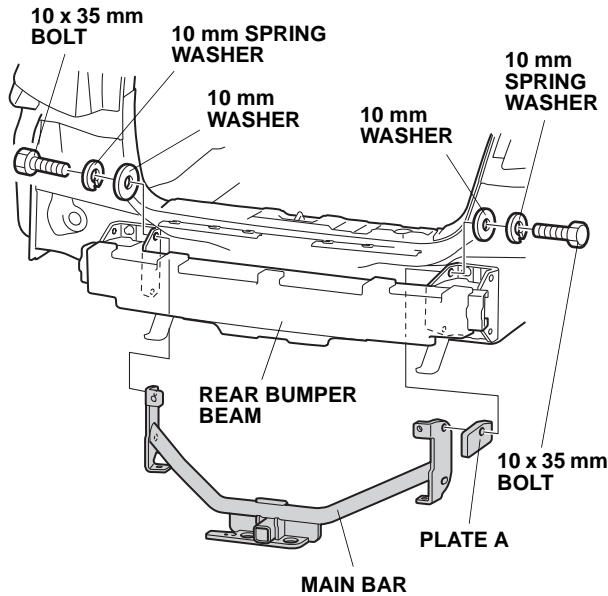
24. Using tin snips, cut off the heat shield as shown. Remove any burrs from the cutting edge.



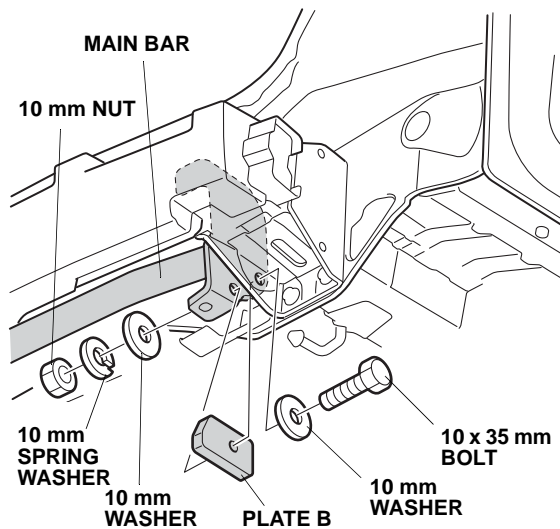
25. Repeat steps 21 thru 24 to mark and cut the heat shield on the other side.

## Installing the Trailer Hitch

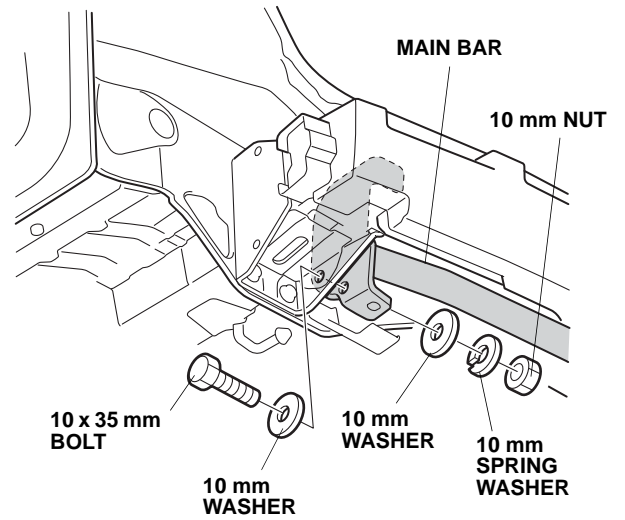
26. Install the main bar as shown. Loosely install plate A, bolts, spring washers, and washers.



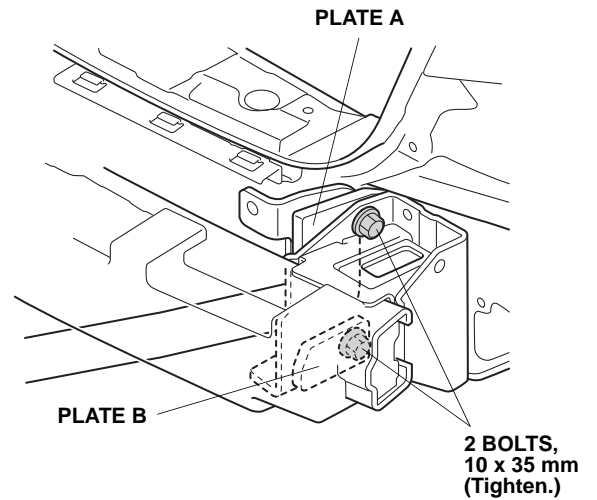
27. Loosely install the plate B, bolt, nut, spring washer, and washers.



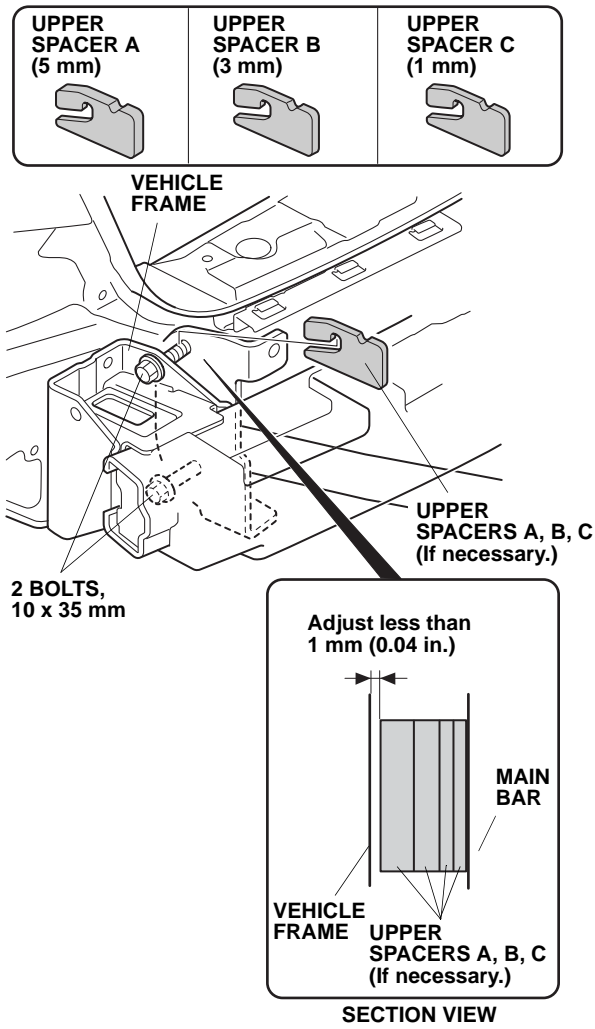
28. Loosely install bolt, nut, spring washer, and washers.



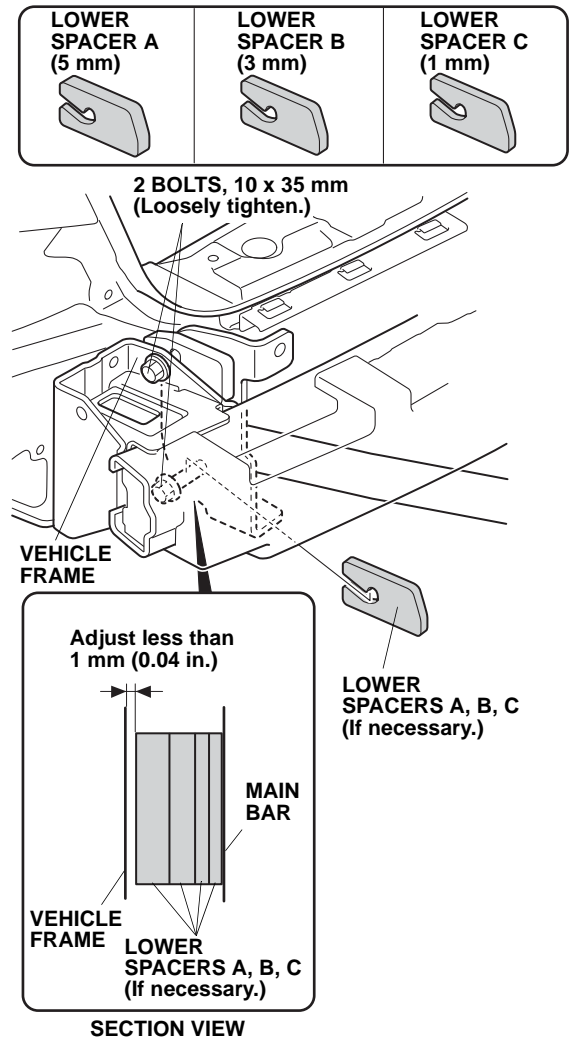
29. Tighten the right two loosely installed bolts. Do not tighten the left bolts yet.



30. Using upper spacers A, B, and C, adjust so that the gap is less than 1 mm (0.04 in.).

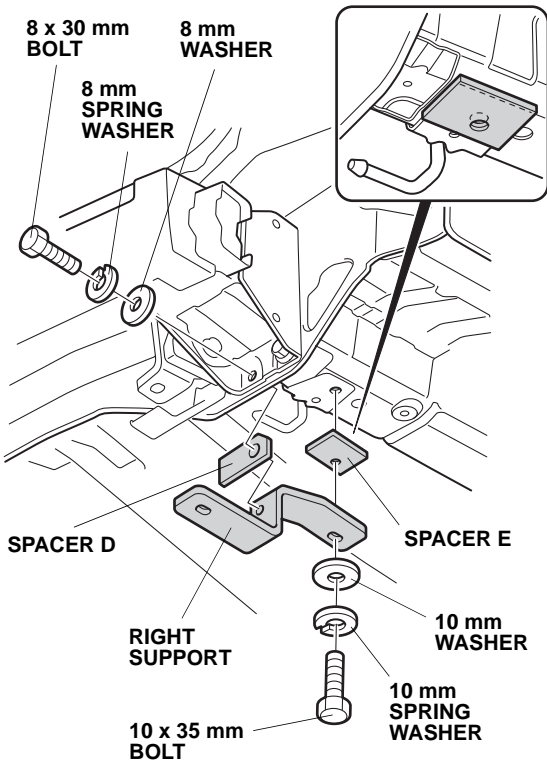


31. Using lower spacers A, B, and C, adjust so that the gap is less than 1 mm (0.04 in.).

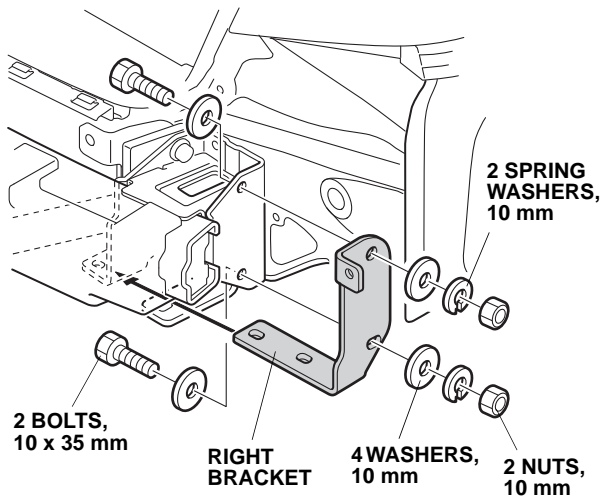


32. Loosely tighten the two bolts.

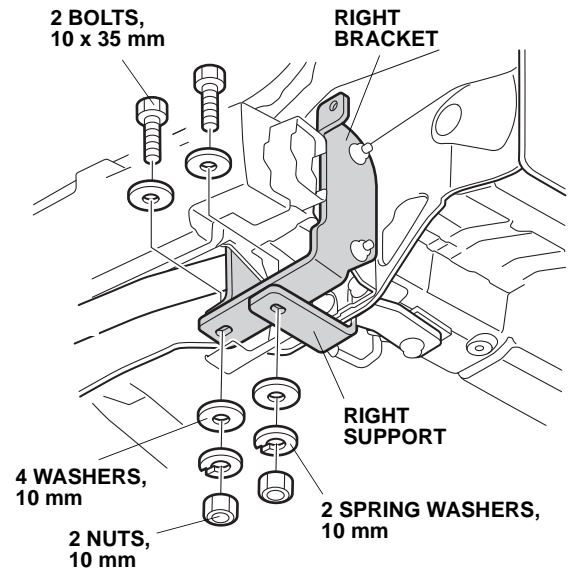
33. Loosely install the right support using spacer D, spacer E, bolts, spring washers, and washers.



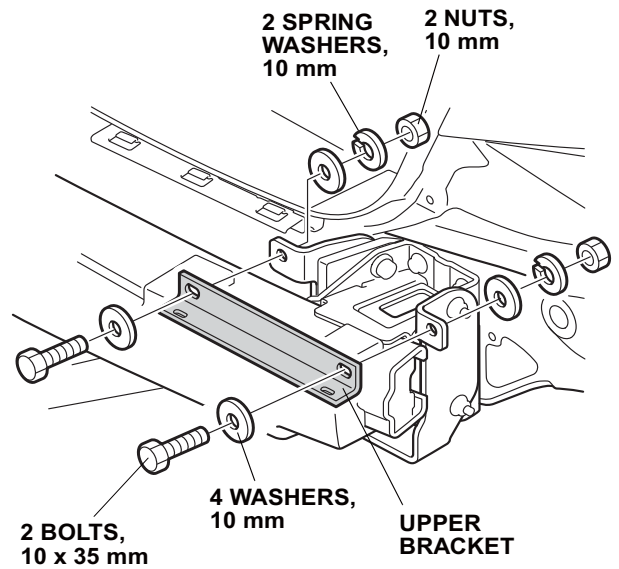
34. Loosely install the right bracket using bolts, nuts, spring washers, and washers.



35. Loosely install bolts, nuts, spring washers, and washers.



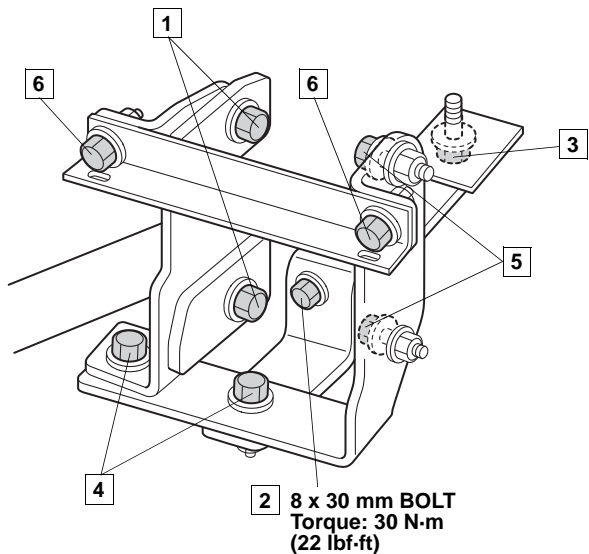
36. Loosely install the upper bracket using bolts, nuts, spring washers, and washers.



37. Repeat steps 33 thru 36 on the other side.

38. Tighten the installed right side bolts to the specified torque in the order of **1** thru **6**.

- 10 x 35 mm Bolts  
Torque: 46 N·m (34 lbf·ft)
- 8 x 30 mm Bolts  
Torque: 30 N·m (22 lbf·ft)

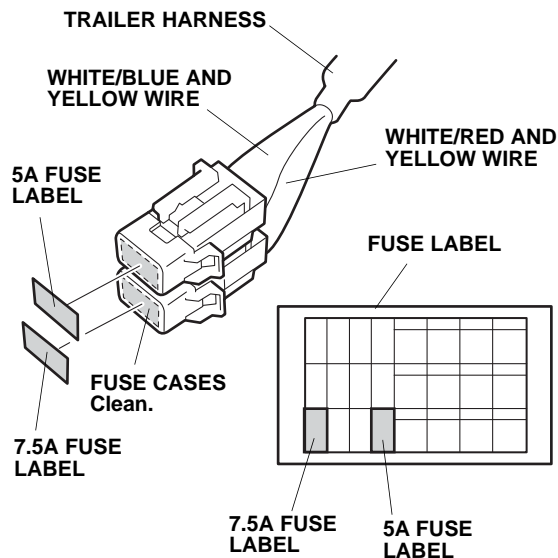


39. Repeat step 38 on the other side.

40. Using the torque specified, retorque all of the bolts a second time.

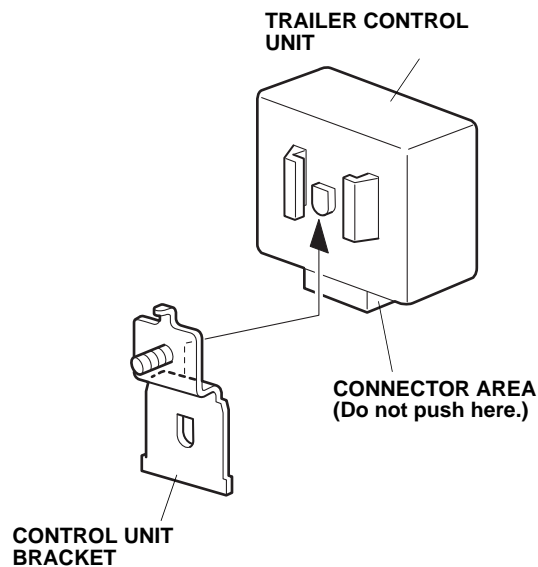
### Installing the Trailer Control Unit

41. Using isopropyl alcohol on a shop towel, clean the areas on the trailer harness where the fuse labels will attach.

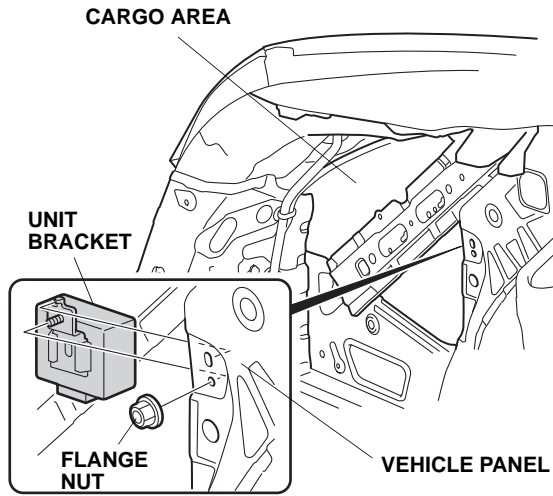


42. Attach the fuse labels to the fuse cases on the trailer harness as shown.

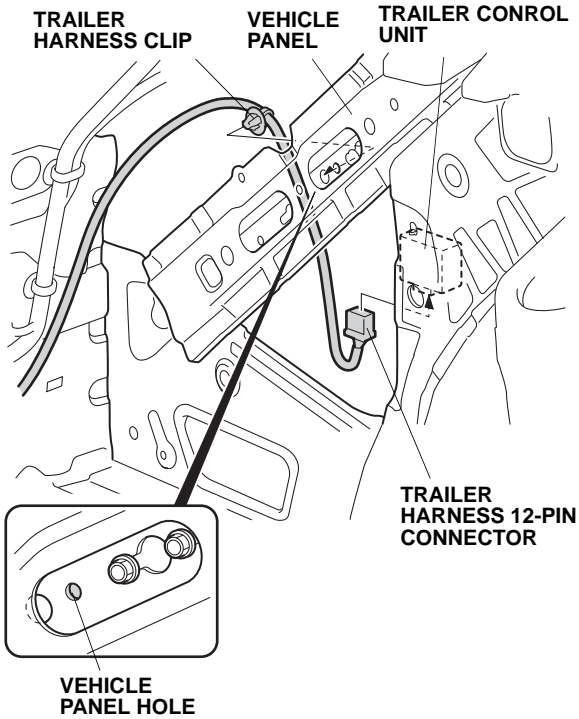
43. Slide the control unit bracket onto the trailer control unit. Do not push on the connector area.



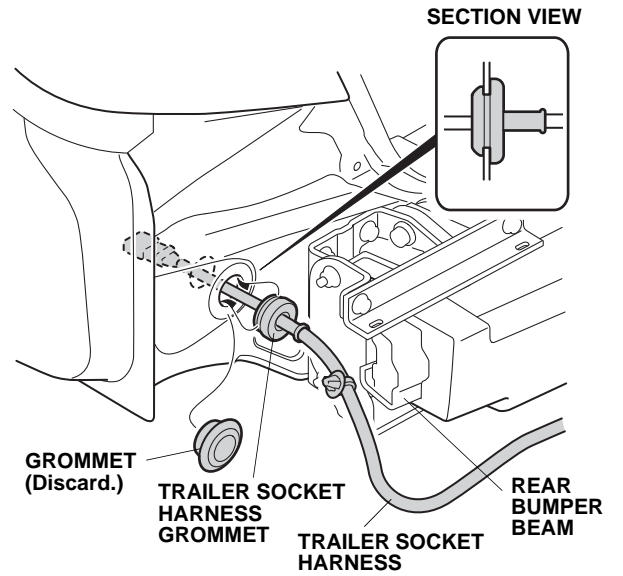
44. Install the control unit bracket to the vehicle panel using one flange nut.



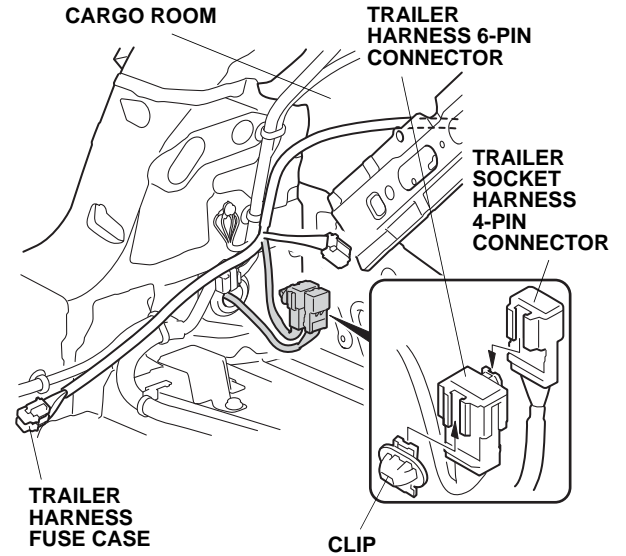
45. Plug the trailer harness 12-pin connector to the trailer control unit, then secure the trailer harness clip into the vehicle panel hole.



46. Remove the grommet. Route the trailer socket harness as shown. Install the trailer socket harness grommet.

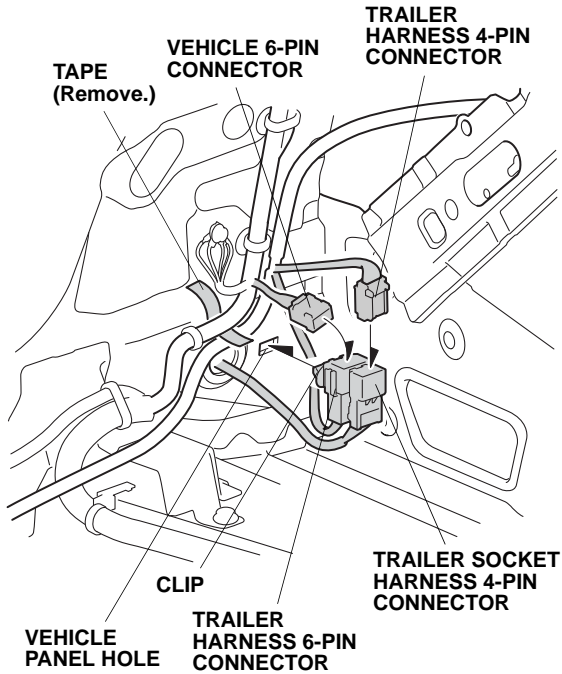


47. Attach the trailer socket harness 4-pin connector and the clip to the trailer harness 6-pin connector.

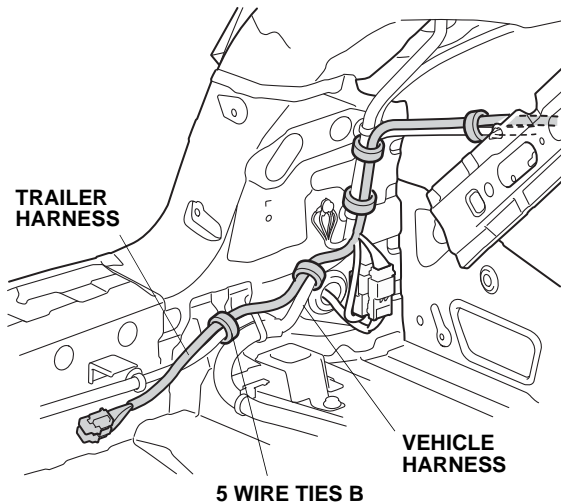




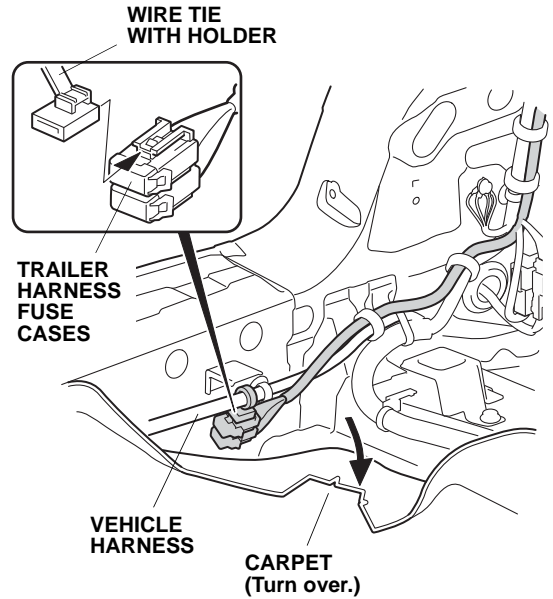
48. Remove the tape that secures the vehicle 6-pin connector, and plug the vehicle 6-pin connector into the trailer harness 6-pin connector. Plug the trailer harness 4-pin connector into the trailer socket harness 4-pin connector. Secure the connectors by pushing the clip into the vehicle panel hole.



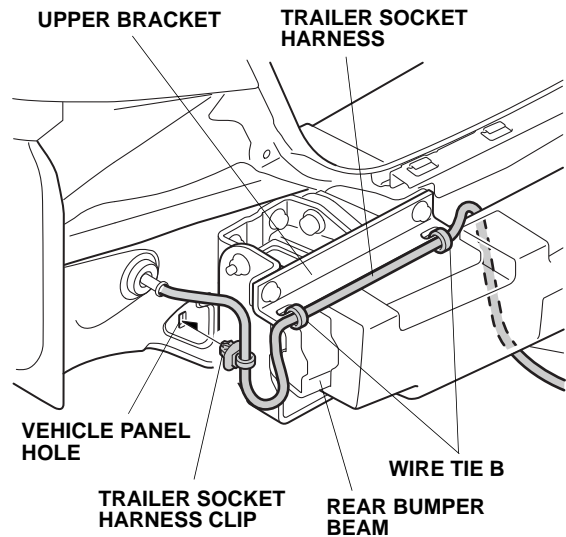
49. Route the trailer harness as shown. Using five wire ties B, secure the trailer harness to the vehicle harness.



50. Turn over the carpet. Using one wire tie with holder, secure the trailer harness fuse cases to the vehicle harness.

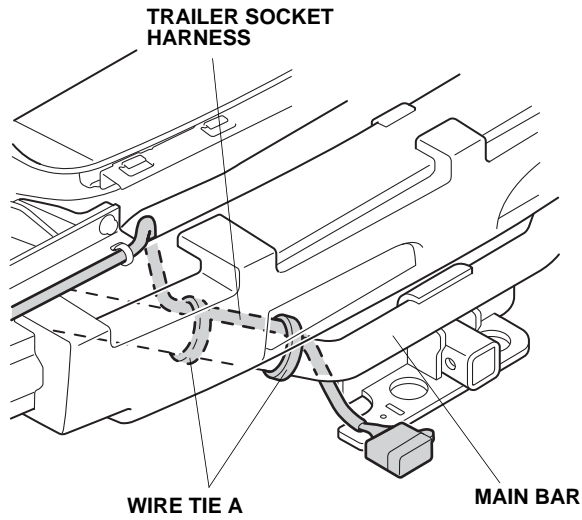


51. Secure the trailer socket harness clip into the vehicle panel hole. Using two wire ties B, secure the trailer socket harness to the upper bracket.

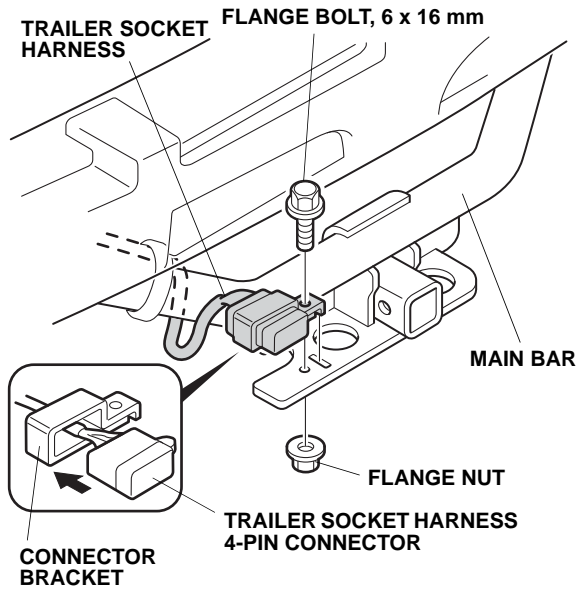




52. Using two wire ties A, secure the trailer socket harness to the main bar.

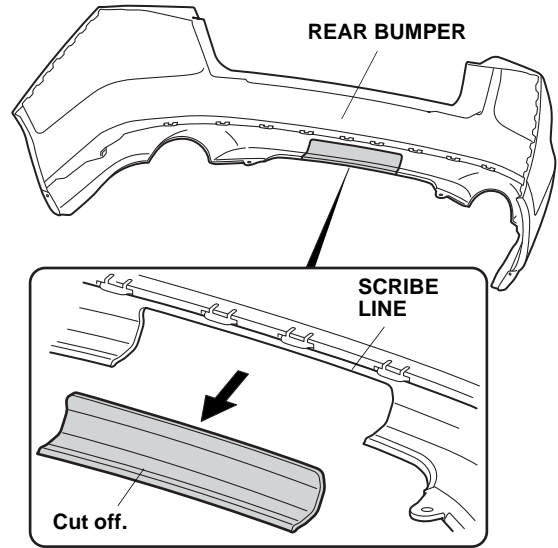


53. Install the connector bracket around the trailer socket harness 4-pin connector, and secure them to the main bar using the flange bolt and flange nut.

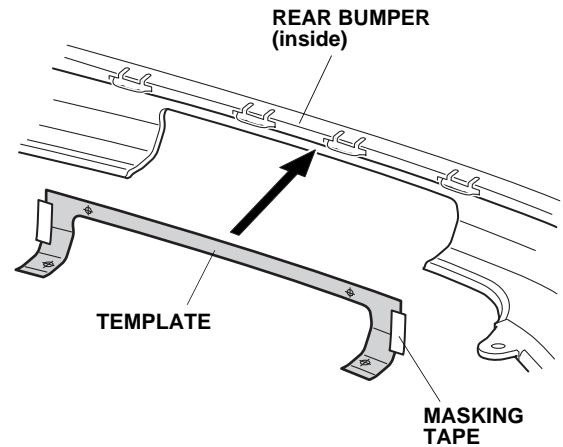


### Installing the Lower Trim

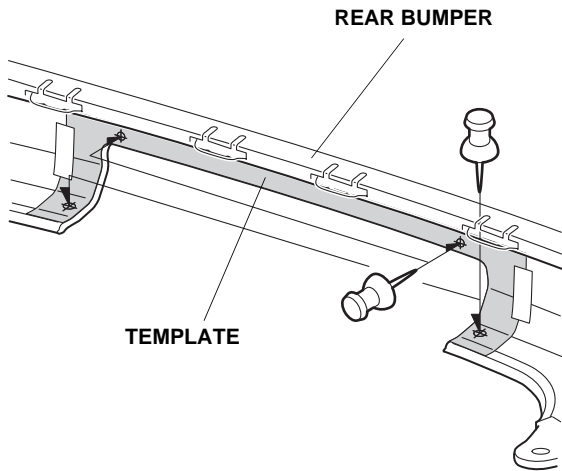
54. Using a utility knife cut the rear bumper along the scribe line.



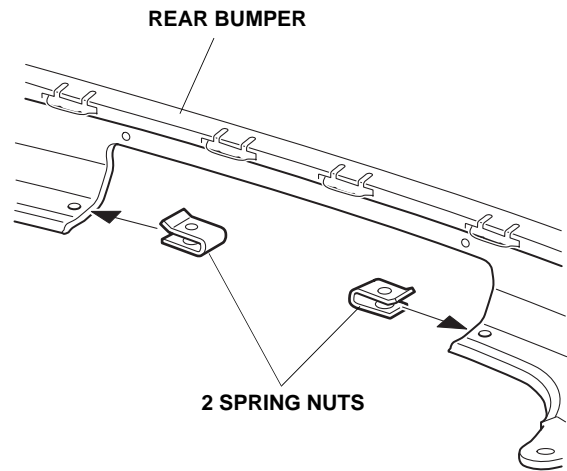
55. Attach the template to the inside of the rear bumper using masking tape.



56. Using a pushpin, pierce the rear bumper as shown.

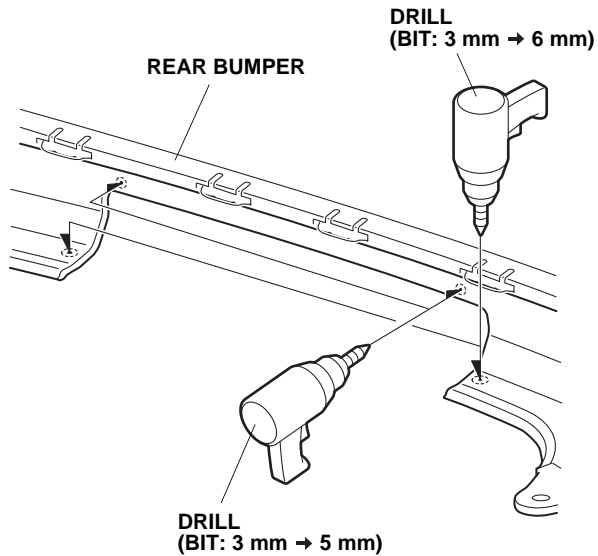


59. Attach two spring nuts to the rear bumper as shown.

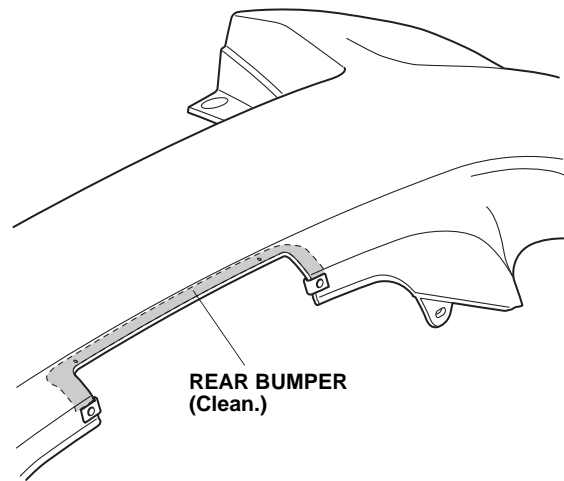


57. Remove the template.

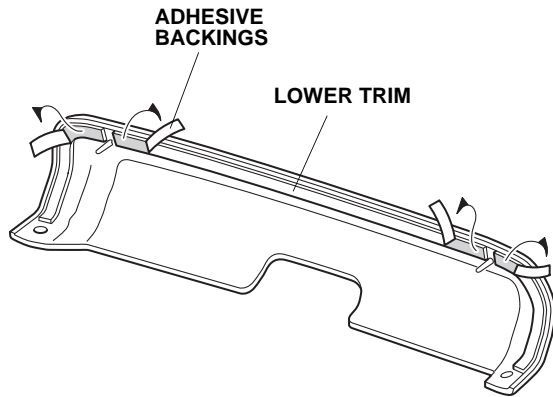
58. While wearing eye protection, drill the rear bumper. First drill with a 3 mm drill bit, and finish with a 5 mm drill bit (upper holes) or a 6 mm drill bit (lower holes).



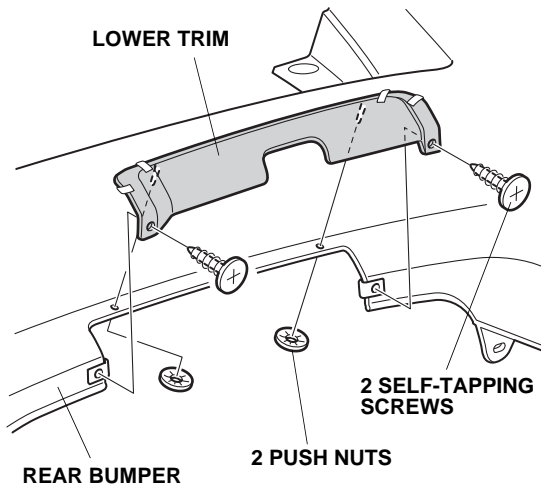
60. Using the alcohol swab, clean the rear bumper where the lower trim will attach.



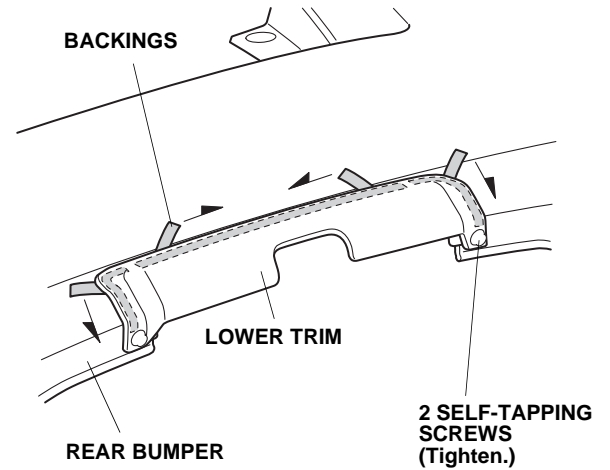
61. Peel back the adhesive backings and tape them to the front of the lower trim.



62. Loosely install the lower trim to the rear bumper using two self-tapping screws and two push nuts.

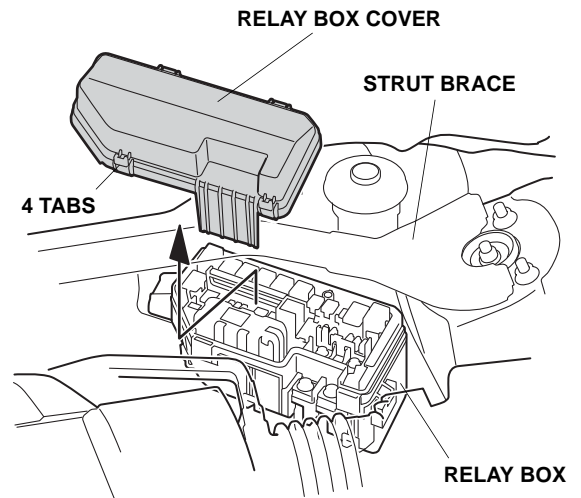


63. Remove the backings, then press the lower trim firmly against the bumper. Tighten the two self-tapping screws and two push nuts.

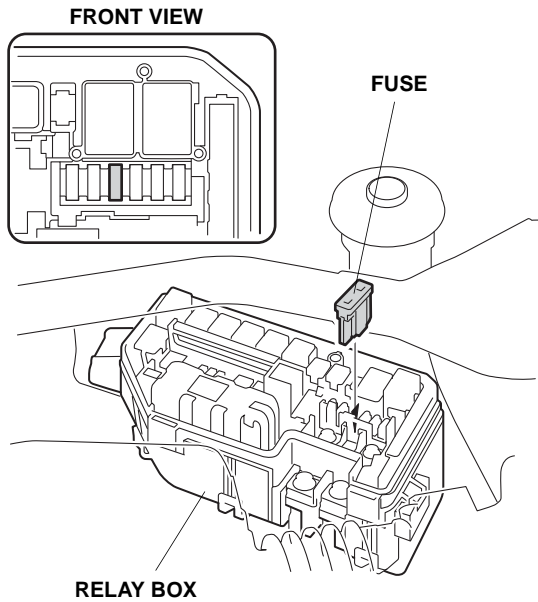


### Installing the Fuse

64. Under the hood, remove the relay box cover (four tabs).



65. Install the fuse to the relay box as shown.

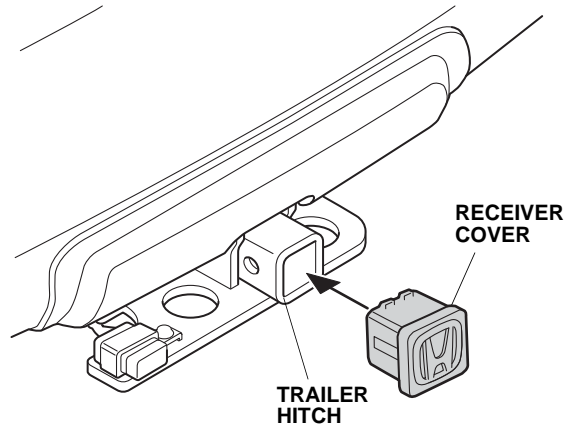


66. Check that all wire harnesses are routed properly and all connectors are plugged in.
67. Reinstall all removed parts.
68. Reconnect the negative cable to the battery.
69. Enter the customer's radio anti-theft code, and reset the radio station presets.
70. Reset the clock.
71. Secure the ball mount to the main bar with one hitch pin and one pin clip.

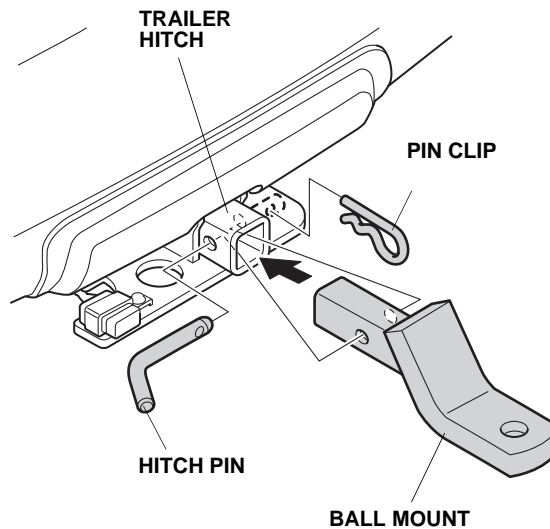
**Give a copy of this page to your customer**

**Installing the Receiver Cover**

Whenever you remove the pin clip, the hitch pin, and the ball mount, store them securely in the cargo area. Install the receiver cover into the opening at the end of the trailer hitch. When you reinstall the ball mount, store the receiver cover in the cargo area.



Install the ball mount into the trailer hitch using the hitch pin and the pin clip.



After the first 600 miles (1,000 km) of towing, have your Honda Dealer recheck the tightness of the trailer hitch bolts.