



# INSTALLATION INSTRUCTIONS

Accessory  
**AUTOMATIC DAY/NIGHT MIRROR (EX)**

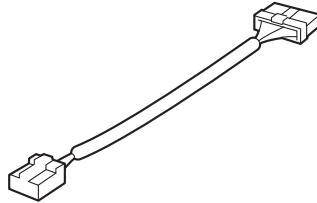
Application  
**2011 ACCORD  
2- AND 4-DOOR**

Publications No.  
**All 43993**  
Issue Date  
**AUG 2010**

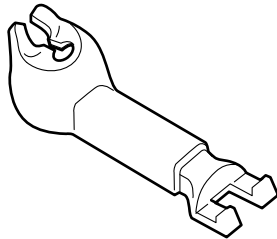
## PARTS LIST

### Automatic Day/Night Mirror Attachment Kit P/N 08V03-TA0-100B

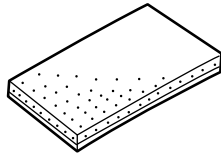
Automatic day/night mirror harness



Harness cover

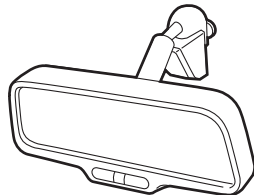


EPT sealer



### Automatic Day/Night Mirror Kit P/N 08V03-TA0-100A

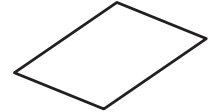
Automatic day/night mirror



Spring



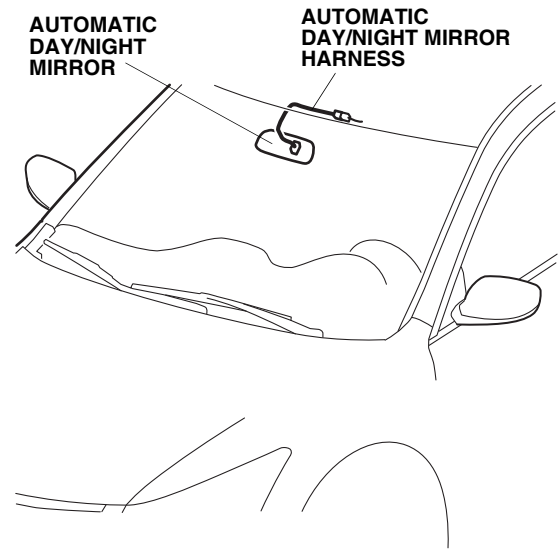
## Operating Instructions



## TOOLS AND SUPPLIES REQUIRED

- Flat-tip screwdriver
- Phillips screwdriver
- Isopropyl alcohol
- Shop towel
- Needle nose pliers

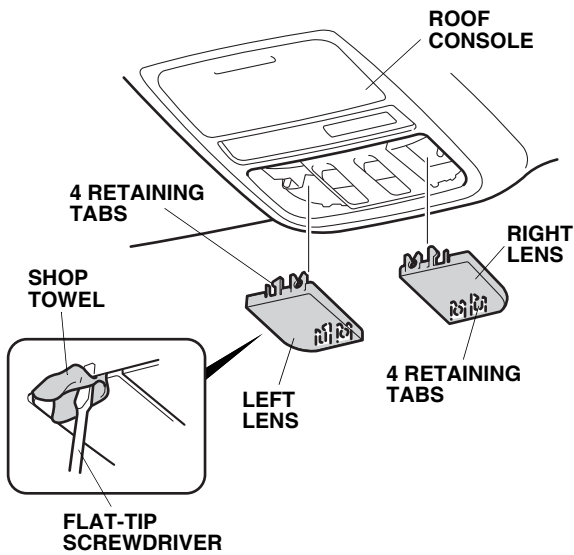
### *Illustration of the Automatic Day/Night Mirror Installed on the Vehicle*



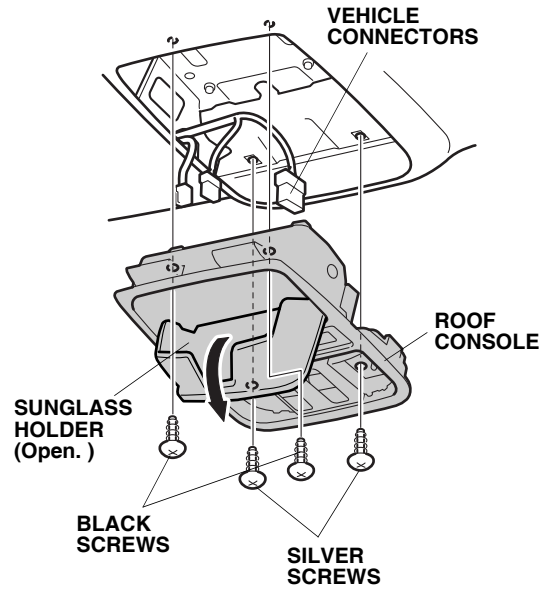
## INSTALLATION

**Customer Information:** The information in this installation instruction is intended for use only by skilled technicians who have the proper tools, equipment, and training to correctly and safely add equipment to your vehicle. These procedures should not be attempted by “do-it-yourselfers.”

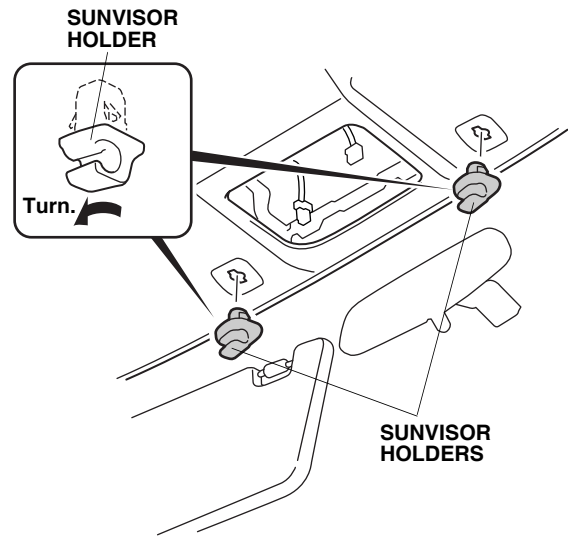
1. Make sure you have the anti-theft code for the radio and the navigation system (if equipped), then write down the radio station presets.
2. Disconnect the negative cable from the battery.
3. Disengage the eight retaining tabs, and remove the left and right lenses from the roof console.



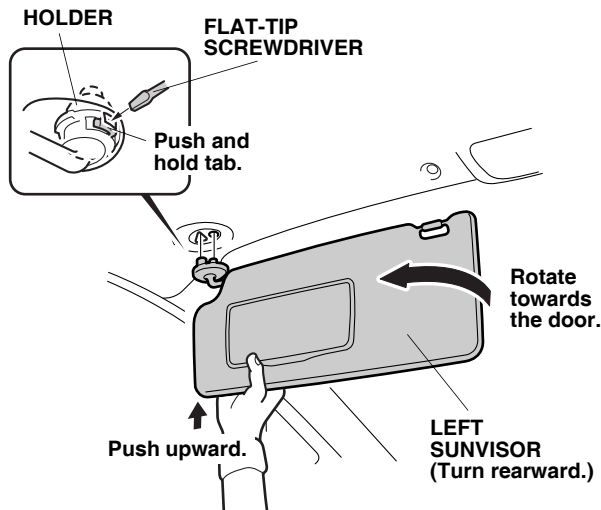
4. Open the sunglasses holder.
5. Remove the four screws (two black and two silver) and let the roof console drop down. Disconnect the three vehicle connectors and remove the roof console.



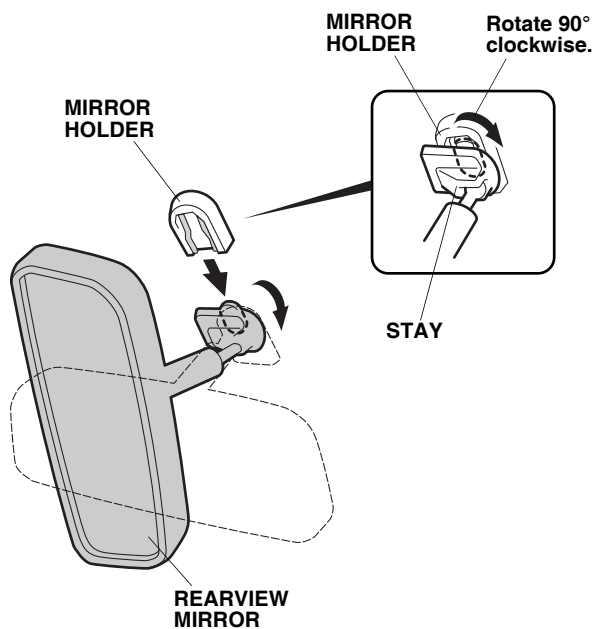
6. Rotate the sunvisor holders 45° clockwise, and remove the two sunvisor holders.



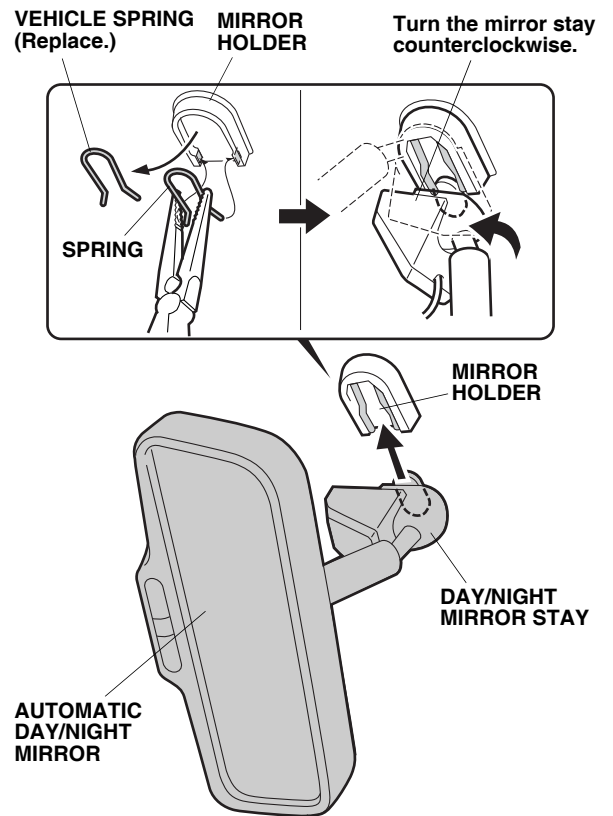
7. Pivot the left sunvisor downward.
8. Locate the slot in the sunvisor holder, and insert a flat-tip screwdriver into the slot. Push in and hold the retaining tab.
9. While holding the retaining tab, push up on the left sunvisor and rotate it towards the door to remove the visor. Disconnect the vanity mirror light connector.  
NOTE: If the retaining tab did not stay pushed in, return the left sunvisor to its original position and repeat steps 7 through 9.



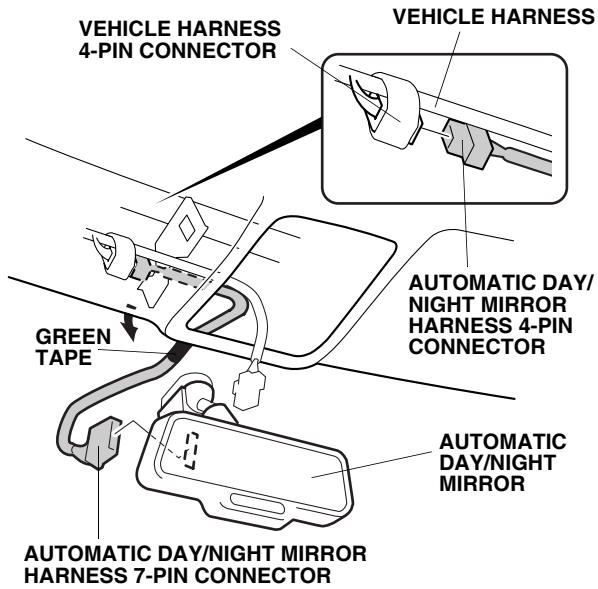
10. Remove the rearview mirror from the holder by rotating the stay 90° clockwise.



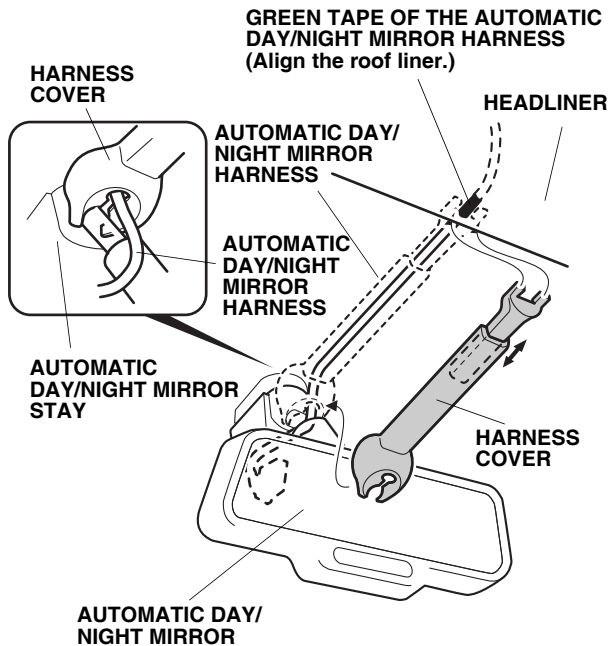
11. Replace the spring. Slide the automatic day/night mirror stay onto the mirror holder, then turn the mirror stay counterclockwise as shown.



12. Inside the roof panel, plug the automatic day/night mirror harness 4-pin connector into the vehicle harness 4-pin connector.
13. Plug the automatic day/night mirror harness 7-pin connector into the rear of the mirror.

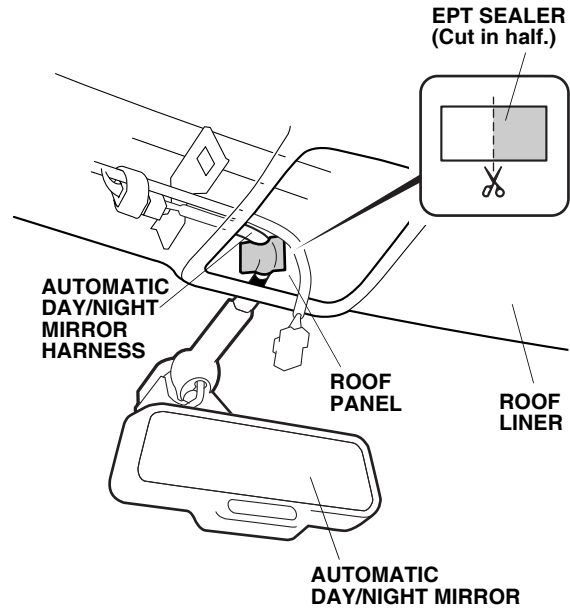


14. Align the green tape on the automatic day/night mirror harness to the roof liner. Route the automatic day/night mirror harness through the grooves in the harness cover. Attach the harness cover to the mirror stay.

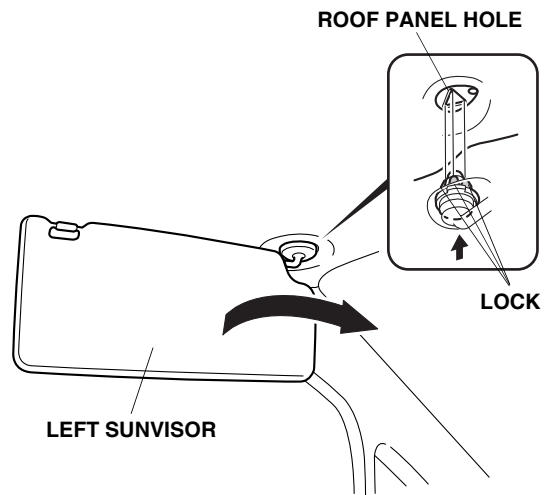


15. Extend the harness cover up under the headliner.

16. Using scissors, cut an EPT sealer in half.
17. Using isopropyl alcohol on a shop towel, clean the area where the EPT sealer will attach. Secure the automatic day/night mirror harness to the roof panel with the cut piece of EPT sealer.



18. Reconnect the vanity mirror light connector, and tuck the connector inside the visor hole. Insert the holder into the roof panel hole. Push up on the visor and rotate it forward to lock the visor into place.



19. Check that all wire harnesses are routed properly and all connectors are plugged in.
20. Reinstall all removed parts.
21. Reconnect the negative cable to the battery.
22. Enter the customer's audio system and navigation system (if equipped) anti-theft codes.
23. Reset the clock (for vehicles with navigation).

NOTE: Check the operation of the automatic day/night mirror according to the operating instructions supplied.

- Adjust the zone and calibrate the compass as described in the operating instructions.
- Place the operating instructions in the glove box.