



# INSTALLATION INSTRUCTIONS

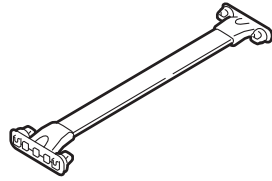
Accessory  
**CROSSBARS**  
P/N 08L04-SZA-110

Application  
**2014 PILOT**

Publications No.  
**All 51560**  
Issue Date  
**MAY 2014**

## PARTS LIST

2 Crossbars



2 Torx bolts



## TOOLS AND SUPPLIES REQUIRED

Flat-tip screwdriver

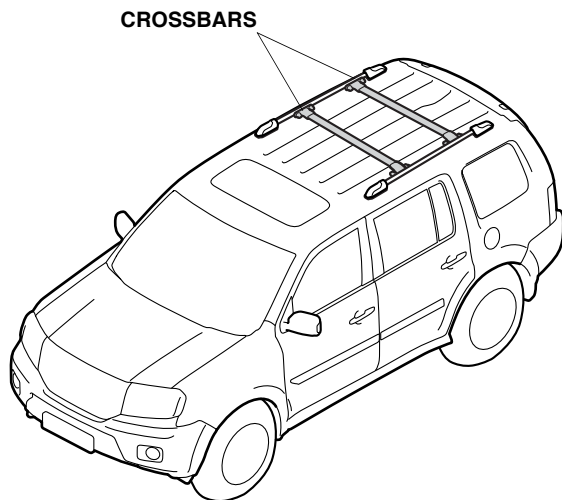
Shop towel

T-30 Torx driver

*The following tool is available through the Honda Tool and Equipment Program. On the iN, click on: Service > Service Bay > Tool and Equipment Program, then enter the number under "Search". Or, call 888-424-6857.*

Plastic trim tool (T/N SILTRIMTL10)

## Illustration of the Crossbars on the Vehicle



7U0401BX

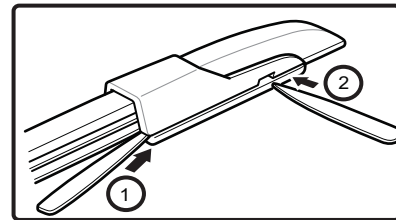
## INSTALLATION

**Customer Information:** The information in this installation instruction is intended for use only by skilled technicians who have the proper tools, equipment, and training to correctly and safely add equipment to your vehicle. These procedures should not be attempted by "do-it-yourselfers."

### NOTE:

- The weight of the cargo must not exceed the maximum weight capacity of 75 kg (165 lbs).
- Clean the roof rails before installing the crossbars.
- Do not damage the roof and other finished surfaces of the body when installing the crossbars.

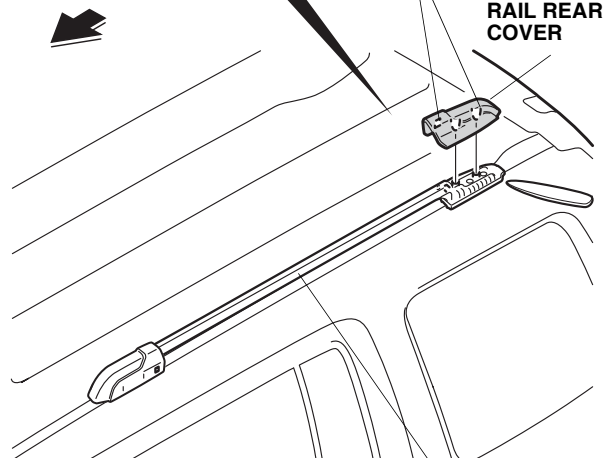
1. Using a plastic trim tool, pry up in the areas shown to remove the right and left rear roof rail covers (two clips for each cover).



FRONT

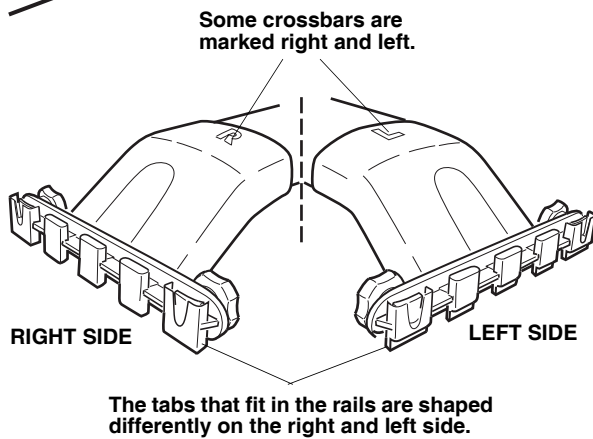
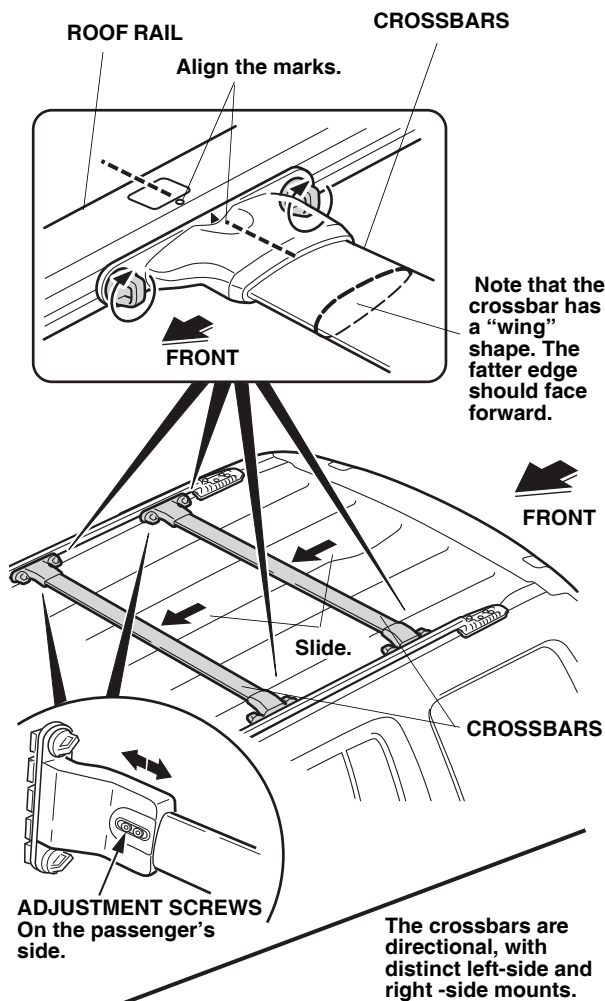
CLIPS

LEFT ROOF RAIL REAR COVER

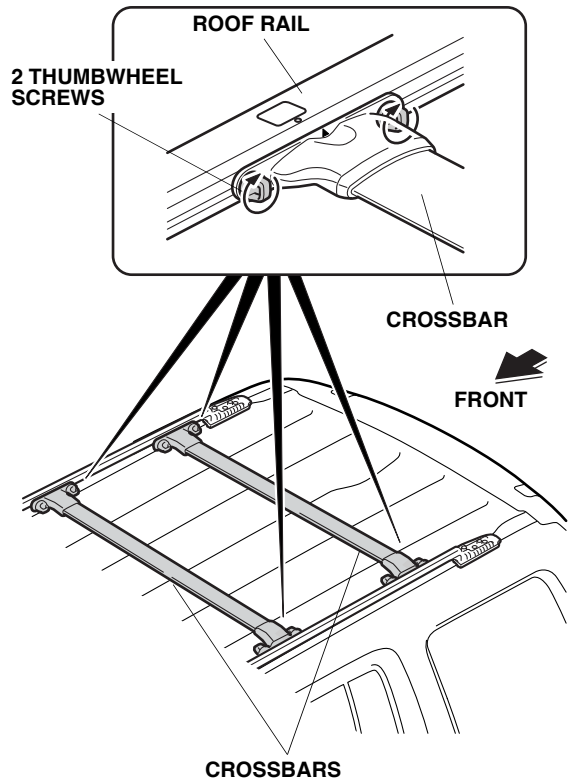


2. Slide the crossbars into the roof rails with the adjustment screws on the passenger's side of the vehicle. Align the marks on the crossbars with the marks on the roof rails as shown. Make sure the

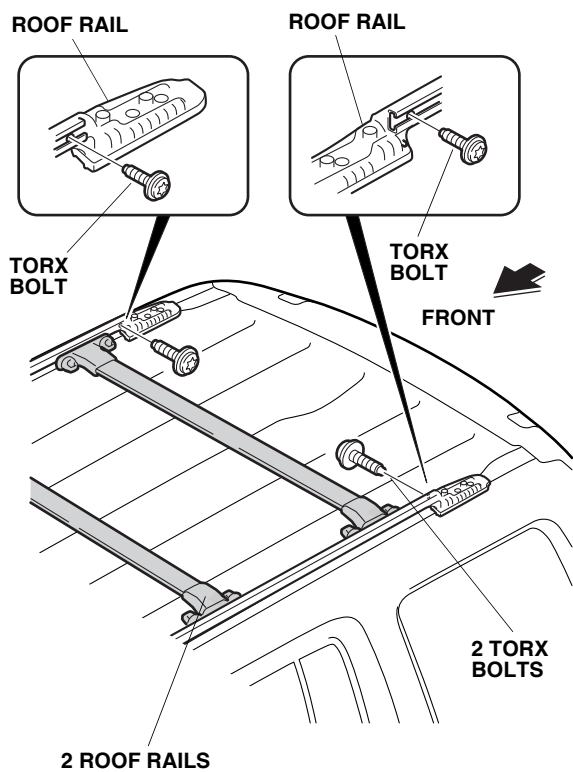
crossbars are inserted in the correct position and direction.  
**NOTE:** If the crossbars are installed incorrectly, they can cause wind noise.



3. Tighten the eight thumbwheel screws to secure the crossbars to the roof rails.



4. Install one Torx bolt into each rail, and tighten the bolts securely.



5. Reinstall the roof rail covers. Make sure they are securely snapped into place.

#### USE AND CARE

- Check the roof rails and crossbar mounting bolts frequently, and retighten if necessary.
- Distribute the weight of the cargo evenly, and do not exceed the maximum weight capacity of 75 kg (165 lbs).

A