

# HONDA INSTALLATION INSTRUCTIONS

Accessory  
**BODY SIDE MOLDINGS**

Application  
**2016 CR-V**

Publications No.  
**VERSION 1**  
Issue Date  
**SEP 2015**

## PARTS LIST

Left front body side molding



Right front body side molding



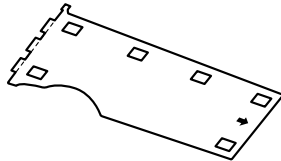
Left rear body side molding



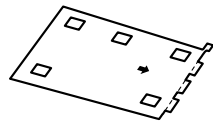
Right rear body side molding



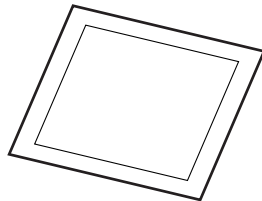
Front template



Rear template



4 Alcohol swabs



## TOOL AND SUPPLIES REQUIRED

Masking tape

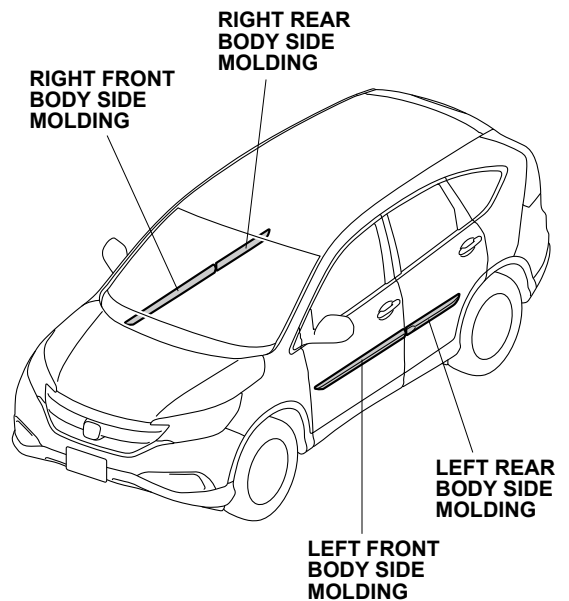
Felt-tip pen

Ruler

*The following tool is available through the Honda Tool and Equipment Program. On the iN, click on: Service > Service Bay > Tool and Equipment Program, then enter the number under "Search." Or call 888-424-6857.*

Rubber Roller (T/N MHLE54D)

## Illustration of the Body Side Moldings on the Vehicle



## INSTALLATION

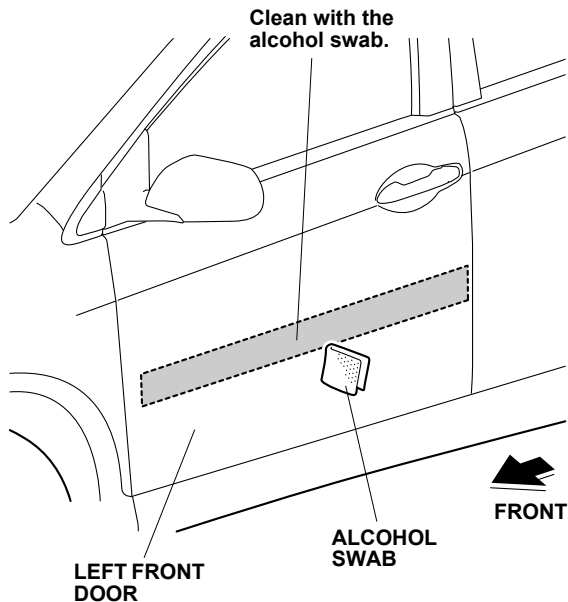
**Customer Information:** The information in this installation instruction is intended for use only by skilled technicians who have the proper tools, equipment, and training to correctly and safely add equipment to your vehicle. These procedures should not be attempted by “do-it-yourselfers.”

### NOTE:

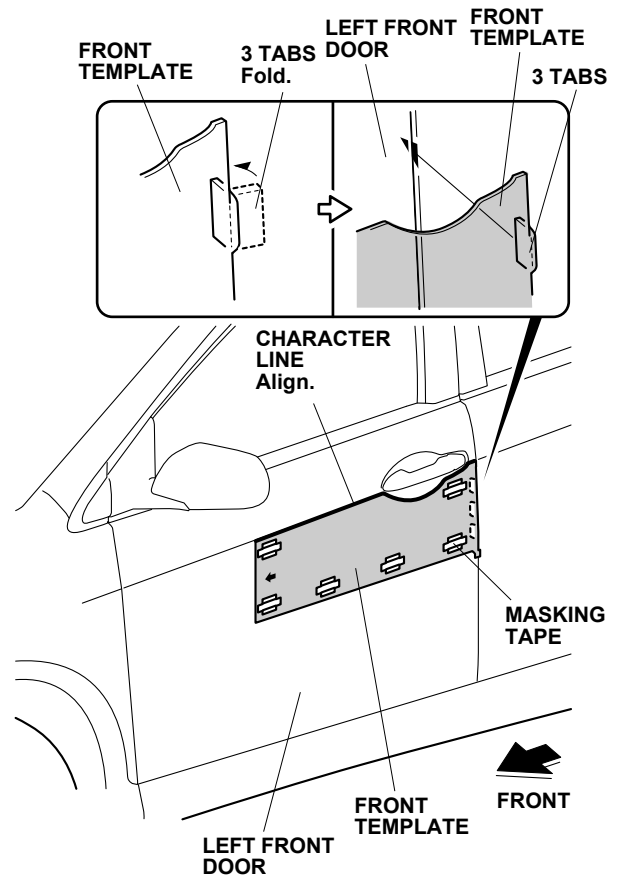
- If you are also installing the accessory door edge guards, install them before you install the body side moldings.
- Be careful not to damage the vehicle body paint finish.
- This kit should only be installed if the ambient air temperature is 15°C (60°F) or above.
- To allow the adhesive to cure, do not wash the vehicle for 24 hours. Please advise the customer.

### Installing the Body Side Moldings

1. Using the alcohol swab, thoroughly clean the area where the left front body side molding will attach.

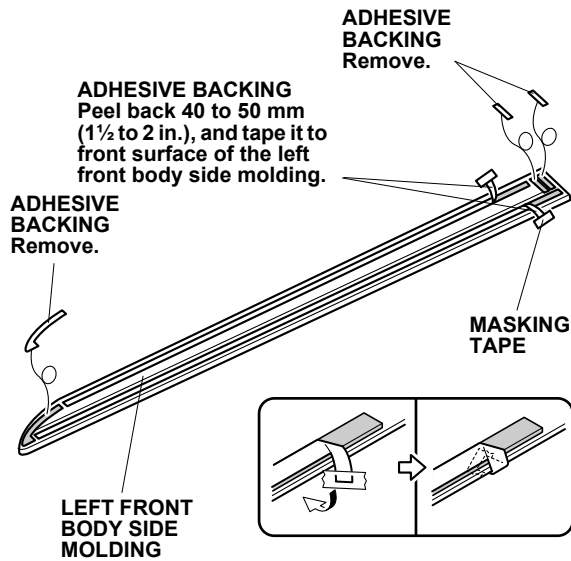


2. Fold three tabs on the front template, and insert them between the left doors.



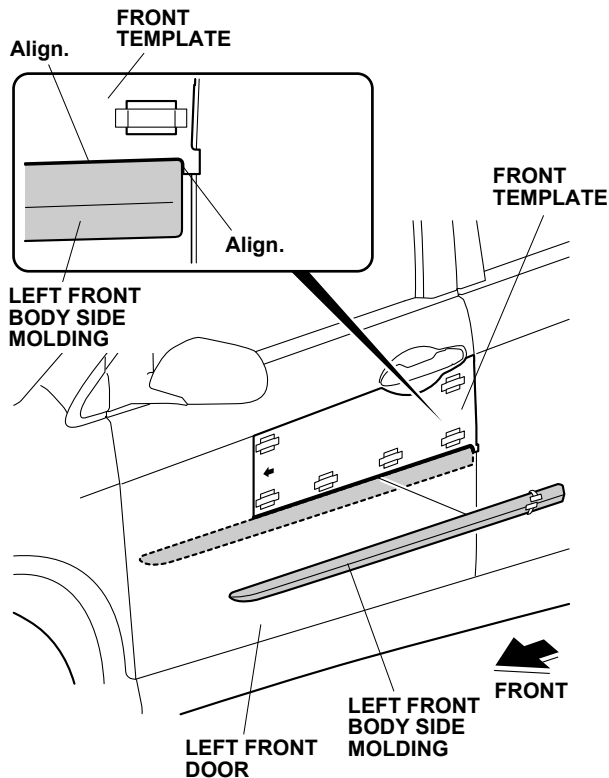
3. Align the front template with the character line, and attach it to the left front door with strips of masking tape as shown.

4. Peel back about 40 to 50 mm (1½ to 2 in.) of adhesive backing from each adhesive tape, and tape the ends to the front surface of the left front body side molding. Remove the other adhesive backings.



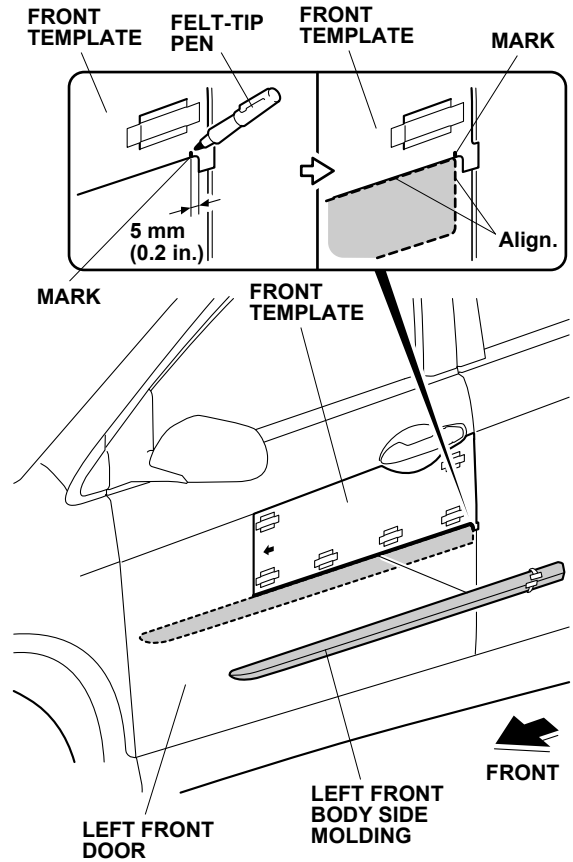
*If the vehicle is equipped with the accessory door edge guards, go to step 6. If not, continue with step 5.*

5. Align the left front body side molding to the front template and attach it to the left front door. Go to step 8.



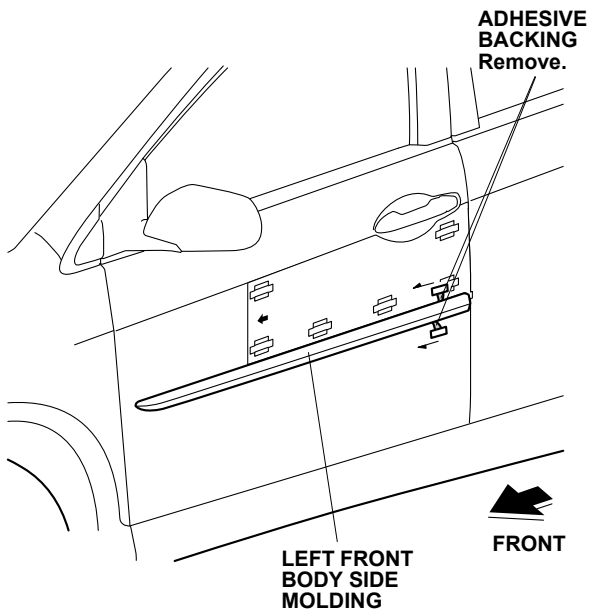
### With Door Edge Guards

6. Using a felt-tip pen, measure and mark the front template using the measurement shown.

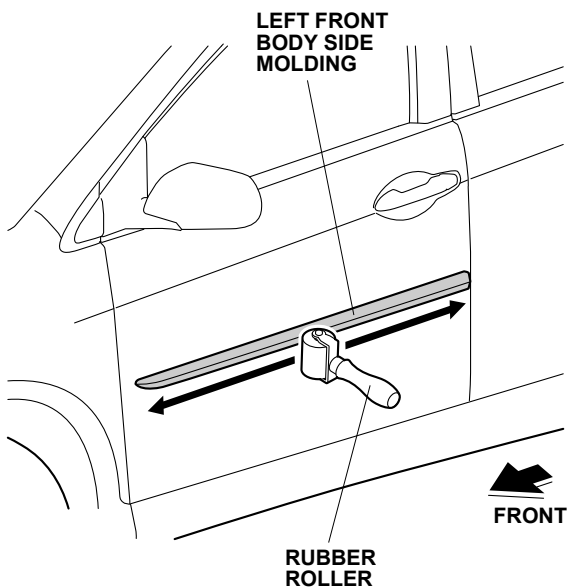


7. Align the left front body side molding with the front template and the mark you made on the front template, and attach it to the left front door as shown.

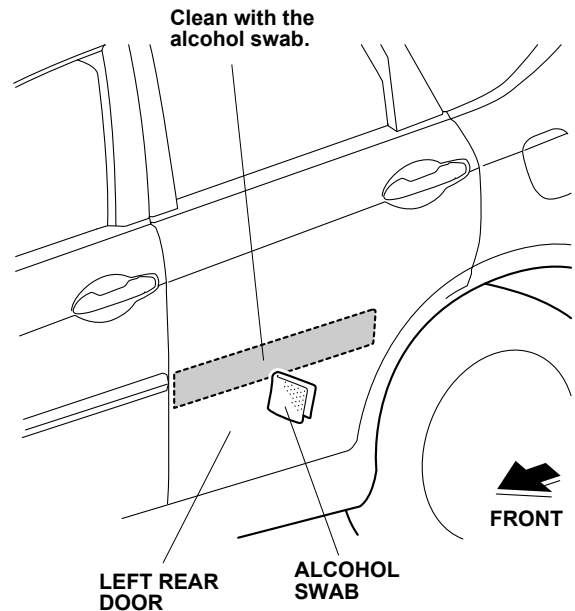
8. While applying light pressure against the left front body side molding, carefully remove the adhesive backings.



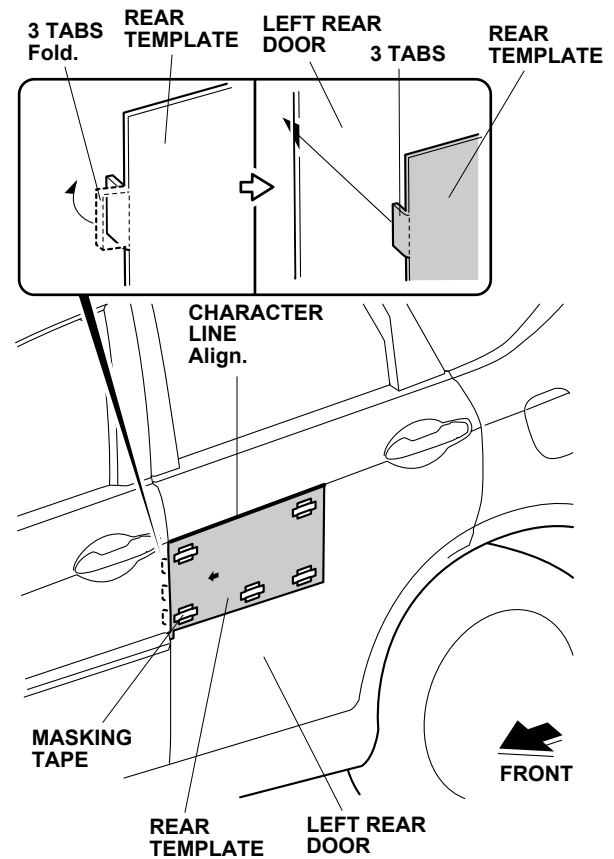
9. Using the palm of your hand, firmly press the left front body side molding to the left front door.
10. Remove the front template.
11. Using a rubber roller, apply pressure against the left front body side molding and roll from one end to the other.



12. Using the alcohol swab, thoroughly clean the area where the left rear body side molding will attach.

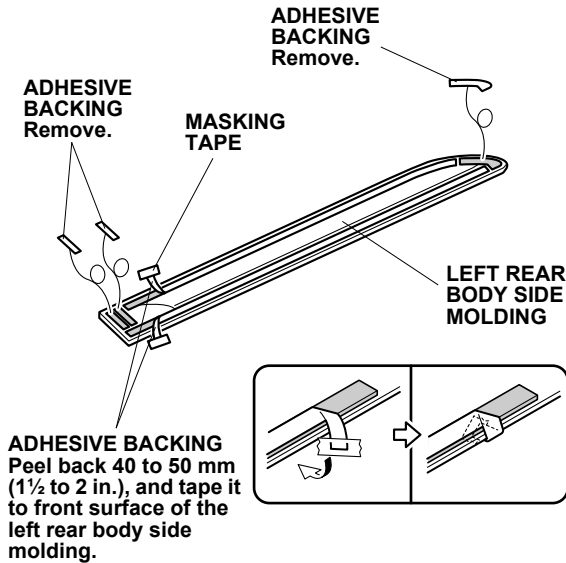


13. Fold three tabs on the rear template, and insert them between the left doors.

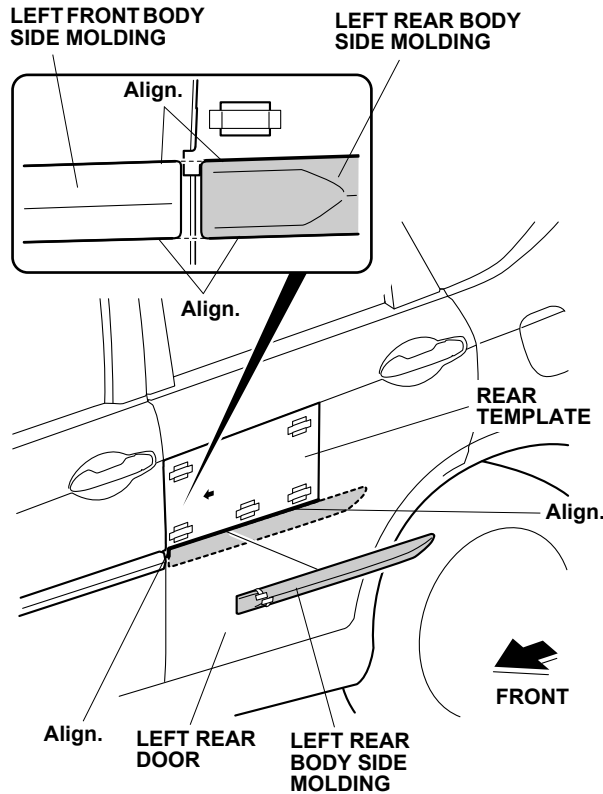


14. Align the rear template with the character line, and attach it to the left rear door using strips of masking tape.

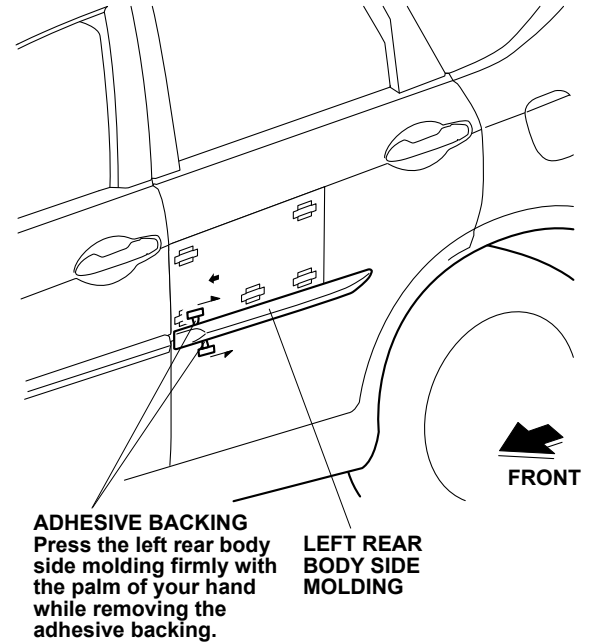
15. Peel back about 40 to 50 mm (1½ to 2 in.) of adhesive backing from each adhesive tape, and tape the ends to the front surface of the left rear body side molding. Remove the other adhesive backings.



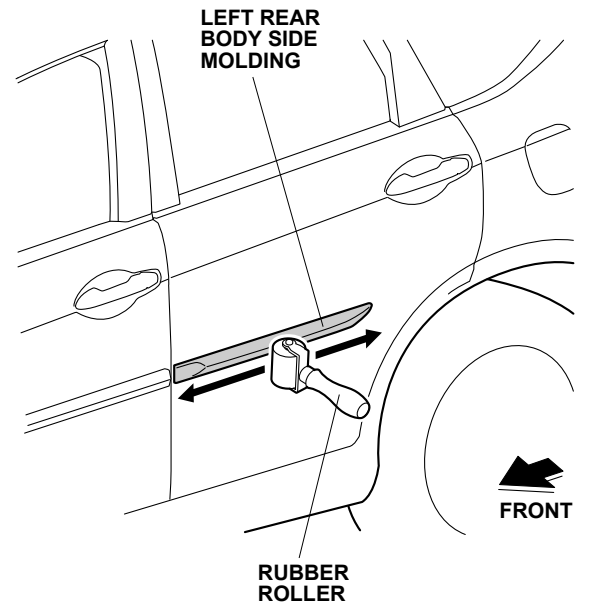
16. Align the edges of the left rear body side molding with the edges of the rear template, and install the left rear body side molding on the left rear door.



17. Press the left rear body side molding firmly with the palm of your hand and remove the adhesive backing 50 to 100 mm (2 to 4 in.) at a time.



18. Remove the rear template.
19. Using the rubber roller, apply firm pressure while rolling to set the adhesive. Apply firm pressure especially at the ends.



20. Turn the front and rear templates over, and repeat steps 1 through 19 to install the body side moldings on the right side of the vehicle.